

DATA SHEET

P22/13

P cores and accessories

Supersedes data of September 2004

2008 Sep 01

CORE SETS

Effective core parameters

SYMBOL	PARAMETER	VALUE	UNIT
$\Sigma(l/A)$	core factor (C1)	0.497	mm ⁻¹
V_e	effective volume	2000	mm ³
l_e	effective length	31.5	mm
A_e	effective area	63.4	mm ²
A_{min}	minimum area	50.9	mm ²
m	mass of set	≈ 12	g

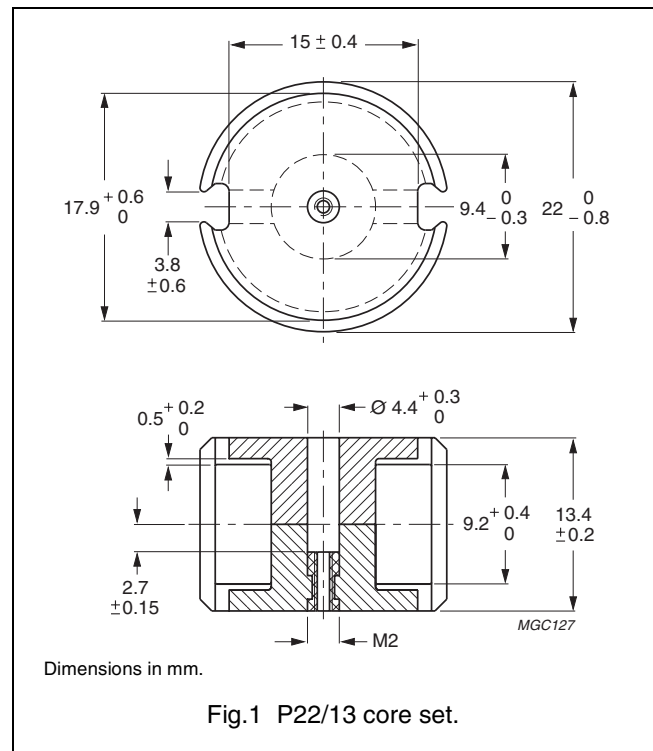


Fig.1 P22/13 core set.

Core sets for filter applications

Clamping force for A_L measurements, 140 ± 30 N.

GRADE	A_L (nH)	μ_e	TOTAL AIR GAP (μm)	TYPE NUMBER (WITH NUT)	TYPE NUMBER (WITHOUT NUT)
3D3 ^{sup}	40 ± 3%	≈ 16	≈ 3360	P22/13-3D3-E40/N	P22/13-3D3-E40
	63 ± 3%	≈ 25	≈ 1890	P22/13-3D3-E63/N	P22/13-3D3-E63
	100 ± 3%	≈ 40	≈ 1040	P22/13-3D3-E100/N	P22/13-3D3-E100
	160 ± 3%	≈ 63	≈ 570	P22/13-3D3-E160/N	P22/13-3D3-E160
	1700 ± 25%	≈ 670	≈ 0	—	P22/13-3D3
3H3 ^{sup}	160 ± 3%	≈ 64	≈ 610	P22/13-3H3-E160/N	P22/13-3H3-E160
	250 ± 3%	≈ 100	≈ 360	P22/13-3H3-E250/N	P22/13-3H3-E250
	315 ± 3%	≈ 125	≈ 270	P22/13-3H3-E315/N	P22/13-3H3-E315
	400 ± 3%	≈ 158	≈ 210	P22/13-3H3-A400/N	P22/13-3H3-A400
	630 ± 3%	≈ 249	≈ 120	P22/13-3H3-A630/N	P22/13-3H3-A630
	3900 ± 25%	≈ 1540	≈ 0	—	P22/13-3H3

Core sets for general purpose transformers and power applicationsClamping force for A_L measurements, 140 ± 30 N.

GRADE	A_L (nH)	μ_e	AIR GAP (μm)	TYPE NUMBER
3C81	$160 \pm 3\%$	≈ 63	≈ 610	P22/13-3C81-A160
	$250 \pm 3\%$	≈ 99	≈ 360	P22/13-3C81-A250
	$315 \pm 3\%$	≈ 125	≈ 280	P22/13-3C81-A315
	$400 \pm 3\%$	≈ 158	≈ 210	P22/13-3C81-A400
	$630 \pm 3\%$	≈ 249	≈ 120	P22/13-3C81-A630
	$5200 \pm 25\%$	≈ 2060	≈ 0	P22/13-3C81
3C91 <small>des</small>	$5200 \pm 25\%$	≈ 2060	≈ 0	P22/13-3C91
3F3	$160 \pm 3\%$	≈ 63	≈ 610	P22/13-3F3-A160
	$250 \pm 3\%$	≈ 99	≈ 360	P22/13-3F3-A250
	$315 \pm 3\%$	≈ 125	≈ 280	P22/13-3F3-A315
	$400 \pm 3\%$	≈ 158	≈ 210	P22/13-3F3-A400
	$630 \pm 3\%$	≈ 249	≈ 120	P22/13-3F3-A630
	$3550 \pm 25\%$	≈ 1410	≈ 0	P22/13-3F3

Core sets of high permeability gradesClamping force for A_L measurements, 140 ± 30 N.

GRADE	A_L (nH)	μ_e	AIR GAP (μm)	TYPE NUMBER
3E27	$9250 \pm 25\%$	≈ 3660	≈ 0	P22/13-3E27

Properties of core sets under power conditions

GRADE	B (mT) at	CORE LOSS (W) at			
	H = 250 A/m; f = 25 kHz; T = 100 °C	f = 25 kHz; B = 200 mT; T = 100 °C	f = 100 kHz; B = 100 mT; T = 100 °C	f = 100 kHz; B = 200 mT; T = 100 °C	f = 400 kHz; B = 50 mT; T = 100 °C
3C81	≥ 320	≤ 0.46	–	–	–
3C91	≥ 315	–	$\leq 0.12^{(1)}$	$\leq 0.9^{(1)}$	–
3F3	≥ 315	–	≤ 0.22	–	≤ 0.4

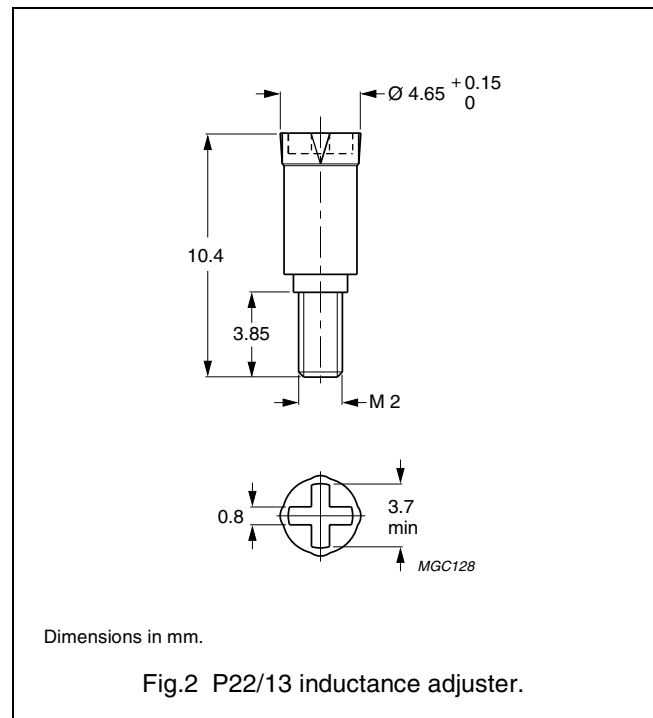
Note

1. Measured at 60 °C.

INDUCTANCE ADJUSTERS

General data

PARAMETER	SPECIFICATION
Material of head and thread	polypropylene (PP), glass fibre reinforced
Maximum operating temperature	125 °C



Inductance adjuster selection chart ^{sup} (applies to all types)

GRADE	A _L (nH)	TYPES FOR LOW ADJUSTMENT	ΔL/L (1)	TYPES FOR MEDIUM ADJUSTMENT	ΔL/L (1)	TYPES FOR HIGH ADJUSTMENT	ΔL/L (1)
3H3	100	–	–	ADJ-P22/RM8-RED	16	ADJ-P22/RM8-ORANGE	21
	160	ADJ-P22/RM8-RED	11	ADJ-P22/RM8-ORANGE	17	ADJ-P22/RM8-WHITE	27
	250	ADJ-P22/RM8-ORANGE	10	ADJ-P22/RM8-WHITE	18	–	–
	315	ADJ-P22/RM8-ORANGE	7	–	–	ADJ-P22/RM8-BROWN	22
	400	ADJ-P22/RM8-WHITE	11	ADJ-P22/RM8-BROWN	17	ADJ-P22/RM8-BLACK	30
	630	ADJ-P22/RM8-BROWN	10	ADJ-P22/RM8-BLACK	18	–	–
	1000	ADJ-P22/RM8-BROWN	6	ADJ-P22/RM8-BLACK	12	–	–
	1250	ADJ-P22/RM8-BROWN	4	ADJ-P22/RM8-BLACK	7	–	–
3D3	40	–	–	–	–	ADJ-P22/RM8-ORANGE	27
	63	–	–	–	–	ADJ-P22/RM8-ORANGE	26
	100	–	–	ADJ-P22/RM8-RED	16	ADJ-P22/RM8-ORANGE	23
	160	ADJ-P22/RM8-RED	10	ADJ-P22/RM8-ORANGE	15	–	–

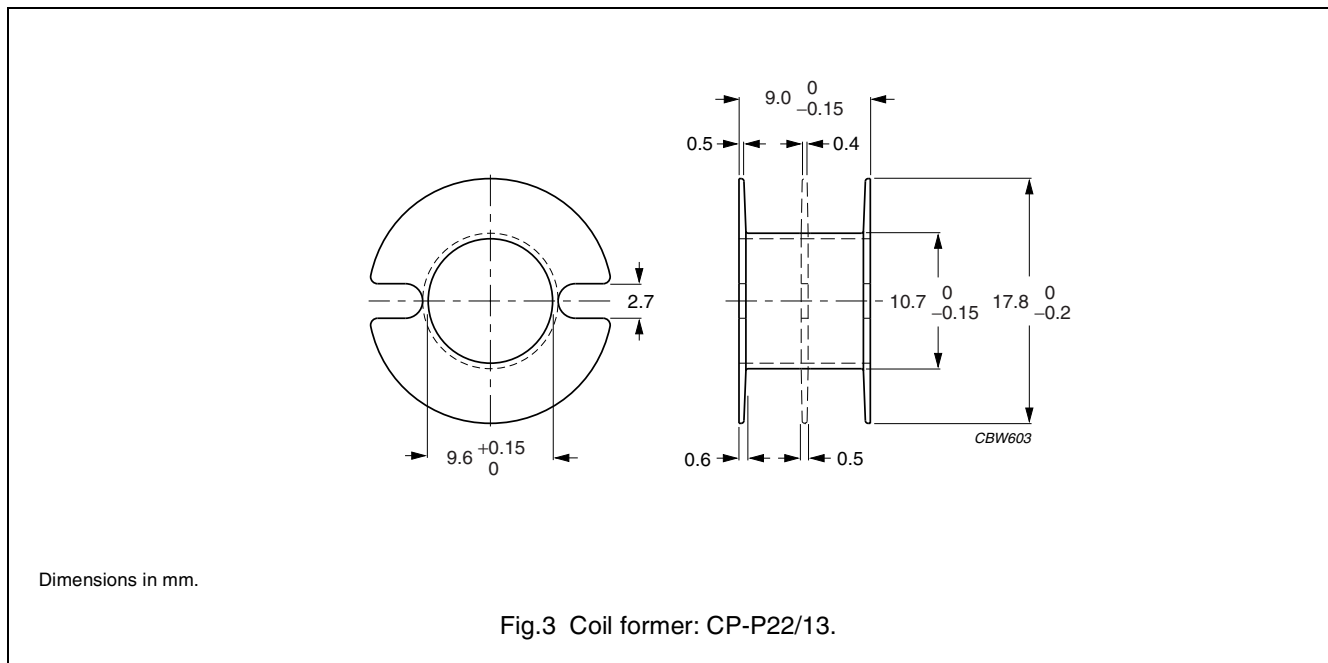
Note

1. Maximum adjustment range.

COIL FORMERS

General data CP-P22/13 coil former

PARAMETER	SPECIFICATION
Coil former material	polybutyleneterephthalate (PBT), glass reinforced, flame retardant in accordance with "UL 94V-0"; UL file number E45329 (R)
Maximum operating temperature	155 °C, "IEC 60085", class F

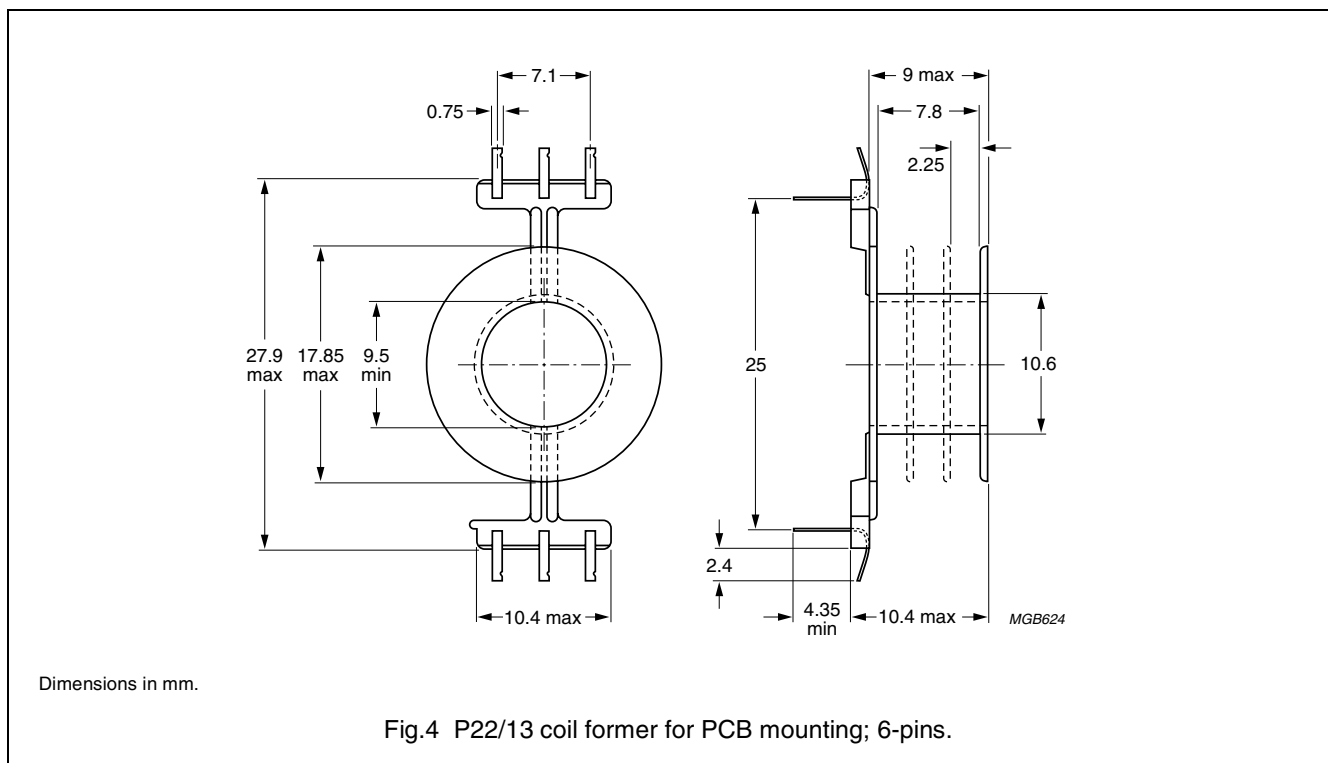


Winding data and area product for CP-P22/13 coil former

NUMBER OF SECTIONS	MINIMUM WINDING AREA (mm ²)	NOMINAL WINDING WIDTH (mm)	AVERAGE LENGTH OF TURN (mm)	AREA PRODUCT Ae x Aw (mm ⁴)	TYPE NUMBER
1	26.2	7.5	44.5	1660	CP-P22/13-1S
2	2 x 12.2	2 x 3.45	44.5	2 x 773	CP-P22/13-2S
3	3 x 7.6	3 x 2.1	44.5	3 x 482	CP-P22/13-3S

General data 6-pins P22/13 coil former for PCB mounting

PARAMETER	SPECIFICATION
Coil former material	polyamide (PA6.6), glass reinforced, flame retardant in accordance with "UL 94V-0"; UL file number E41938(M)
Maximum operating temperature	130 °C, "IEC 60085", class B
Pin material	copper-zinc alloy (CuZn), tin (Sn) plated
Resistance to soldering heat	"IEC 60068-2-20", Part 2, Test Tb, method 1B, 350 °C, 3.5 s
Solderability	"IEC 60068-2-20", Part 2, Test Ta, method 1, 235 °C, 2 s

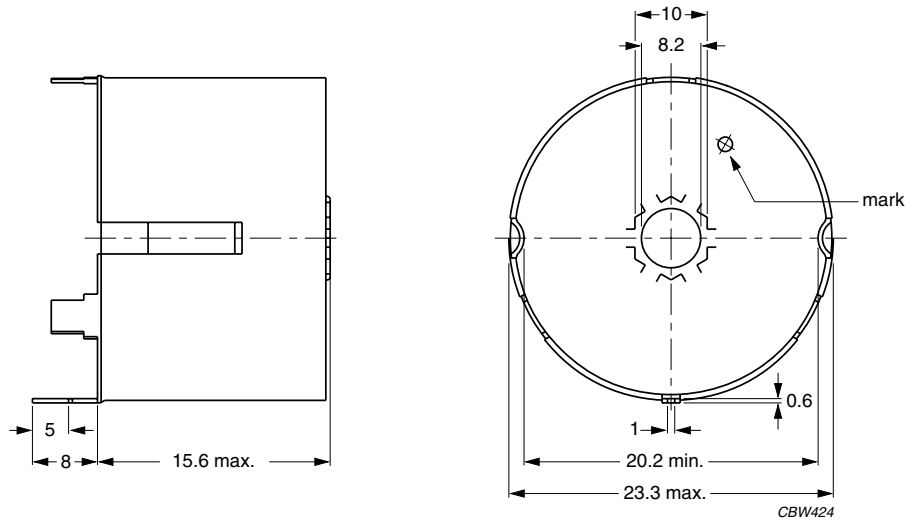


Winding data and area product for 6-pins P22/13 coil former for PCB mounting

NUMBER OF SECTIONS	MINIMUM WINDING AREA (mm ²)	NOMINAL WINDING WIDTH (mm)	AVERAGE LENGTH OF TURN (mm)	MINIMUM LENGTH OF PINS (mm)	AREA PRODUCT Ae x Aw (mm ⁴)	TYPE NUMBER
1	25.2	7.8	44.5	4.4	1600	CPV-P22/13-1S-6PD
1	25.2	7.8	44.5	6.8	1600	CPV-P22/13-1S-6PDL
2	2 x 11.7	2 x 3.6	44.5	4.4	2 x 742	CPV-P22/13-2S-6PD
2	2 x 11.7	2 x 3.6	44.5	6.8	2 x 742	CPV-P22/13-2S-6PDL
3	3 x 7.03	3 x 2.2	44.5	4.4	3 x 446	CPV-P22/13-3S-6PD ⁽¹⁾
3	3 x 7.03	3 x 2.2	44.5	6.8	3 x 446	CPV-P22/13-3S-6PDL ⁽¹⁾

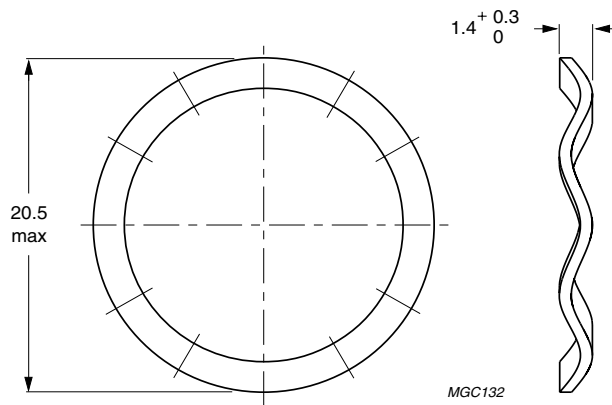
Note

1. In accordance with "UL 94-HB".



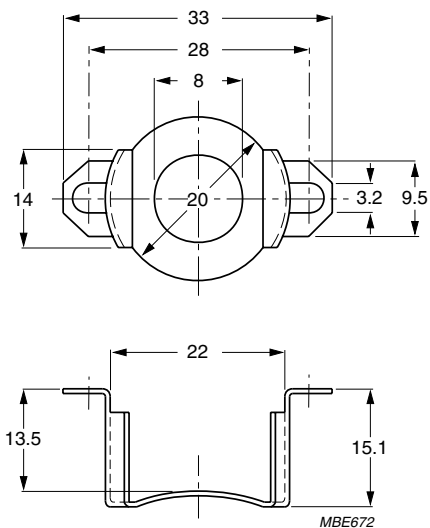
Dimensions in mm.

Fig.6 Container: CON-P22/13.



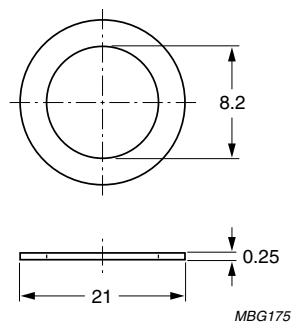
Dimensions in mm.

Fig.7 Spring: SPR-P22/13.



Dimensions in mm.

Fig.8 Clamp: CLM/S-P22/13.



Dimensions in mm.

Fig.9 Washer: WAS-CLM/TS-P22/13.




DATA SHEET STATUS DEFINITIONS

DATA SHEET STATUS	PRODUCT STATUS	DEFINITIONS
Preliminary specification	Development	This data sheet contains preliminary data. Ferroxcube reserves the right to make changes at any time without notice in order to improve design and supply the best possible product.
Product specification	Production	This data sheet contains final specifications. Ferroxcube reserves the right to make changes at any time without notice in order to improve design and supply the best possible product.

DISCLAIMER

Life support applications — These products are not designed for use in life support appliances, devices, or systems where malfunction of these products can reasonably be expected to result in personal injury. Ferroxcube customers using or selling these products for use in such applications do so at their own risk and agree to fully indemnify Ferroxcube for any damages resulting from such application.

PRODUCT STATUS DEFINITIONS

STATUS	INDICATION	DEFINITION
Prototype		These are products that have been made as development samples for the purposes of technical evaluation only. The data for these types is provisional and is subject to change.
Design-in		These products are recommended for new designs.
Preferred		These products are recommended for use in current designs and are available via our sales channels.
Support		These products are not recommended for new designs and may not be available through all of our sales channels. Customers are advised to check for availability.