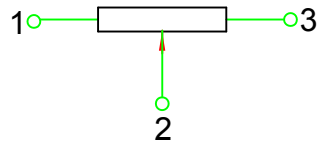
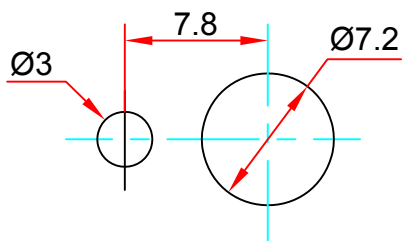
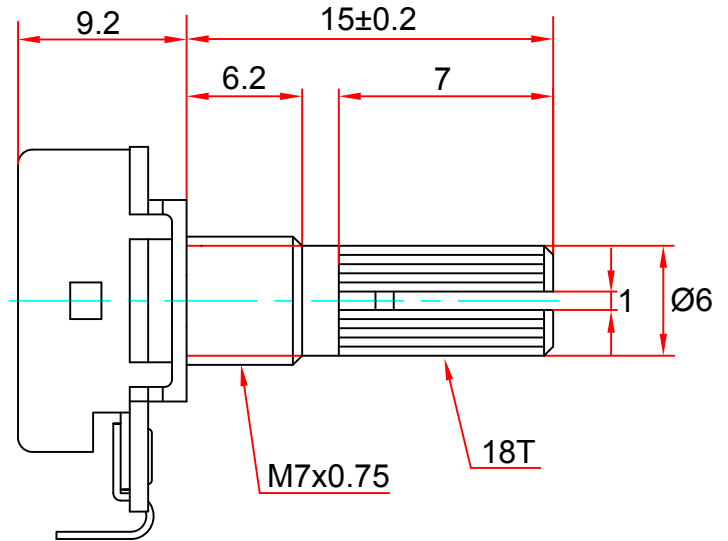
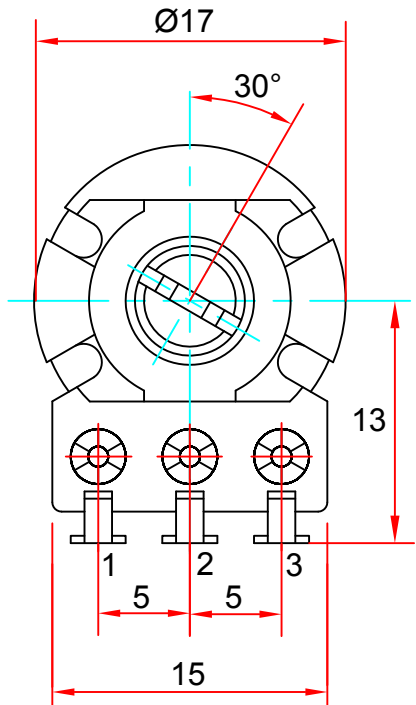


**R16148-1A-1**

|                                    |  |
|------------------------------------|--|
| <b>1 Electrical specifications</b> |  |
| 1.1 Total Resistance               | 1K $\Omega$ ~500K $\Omega$ $\pm$ 20%   |
| 1.2 Resistance taper               | A、 B                                   |
| 1.3 Voltage proof                  | 1 Minute At 500V AC                    |
| 1.4 Rotational noise               | Less than 100mV                        |
| 1.5 Tracking error                 | /                                      |
| 1.6 Rated wattage                  | Curve B:0.125W Other than B: 0.063W    |
| 1.7 Max operating voltage          | Curve B:200V AC Other curve B: 150V AC |
| 1.8 Residual resistance            | R1,2 < 5 $\Omega$ ; R2,3 < 10 $\Omega$ |
| 1.9 Insulation resistance          | $\geq$ 100M $\Omega$ at DC500V         |
| 1.10 Operating Temperature         | -10 ~ 60 $^{\circ}$ C                  |
| <b>2 Mechanical specifications</b> |  |
| 2.1 Drawing                        | See the attachment                     |
| 2.2 Total rotation angle           | 300 $\pm$ 5 $^{\circ}$                 |
| 2.3 Rotation Torque                | 2~20mN.m (20~200gf.cm)                 |
| 2.4 Shaft stop strength            | > 6Kgf.cm                              |
| 2.5 Push pull strength             | 60N                                    |
| 2.6 Switch Rotational Angle        | /                                      |
| 2.7 Switch Contact Resistance      | /                                      |
| 2.8 Rotary life                    | 10,000cycle                            |



|     |      |          |          |             |  |  |  |
|-----|------|----------|----------|-------------|--|--|--|
| 2   |      |          |          | 5           |  |  |  |
| 1   |      |          |          | 4           |  |  |  |
|     | DATE | REVISION | APPROVED | 3           |  |  |  |
|     |      |          | Moder:   | DRAWING NO: |  |  |  |
|     |      |          |          |             |  |  |  |
| DWN | DHKD | APPD     |          |             |  |  |  |

# Resistance taper 電阻規律曲線類型



Pattern of resistance curve

