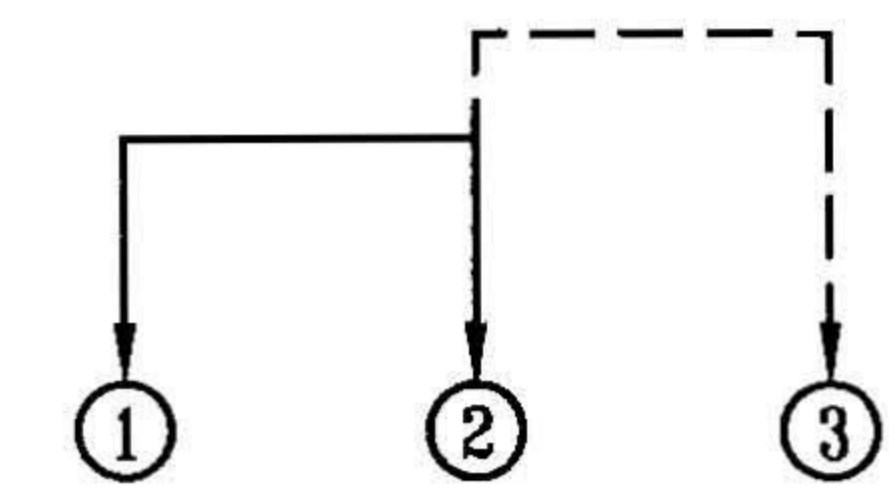
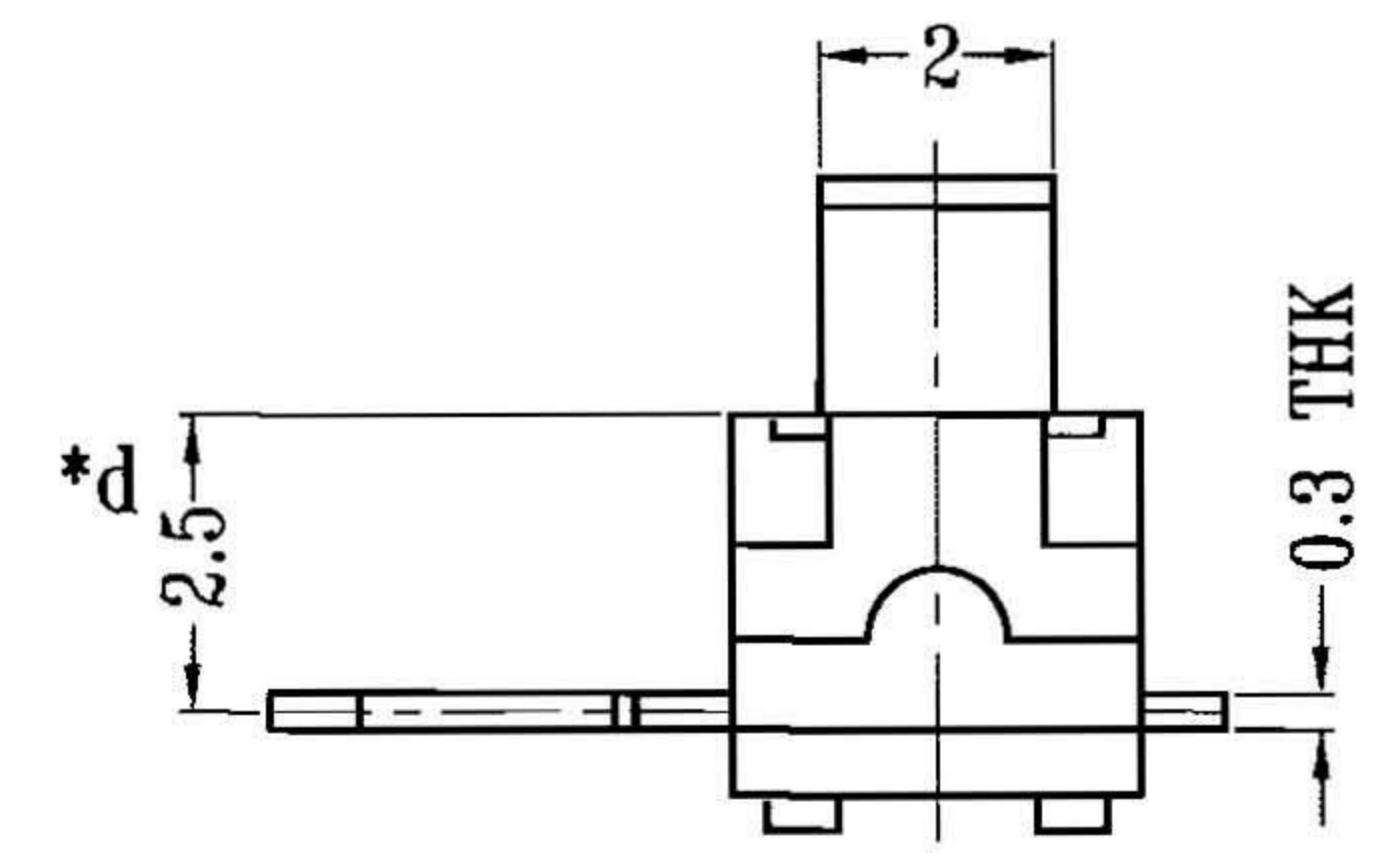
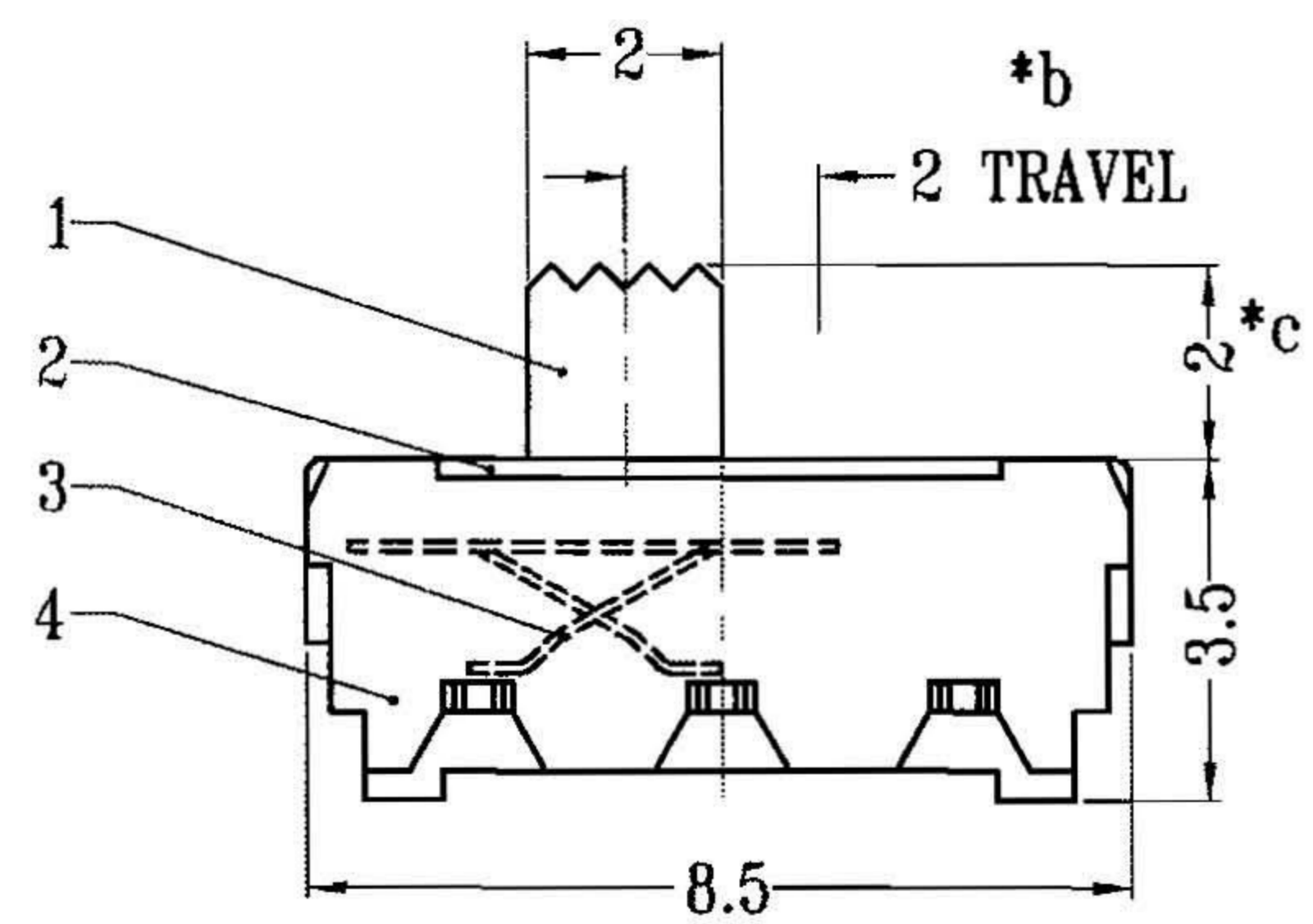
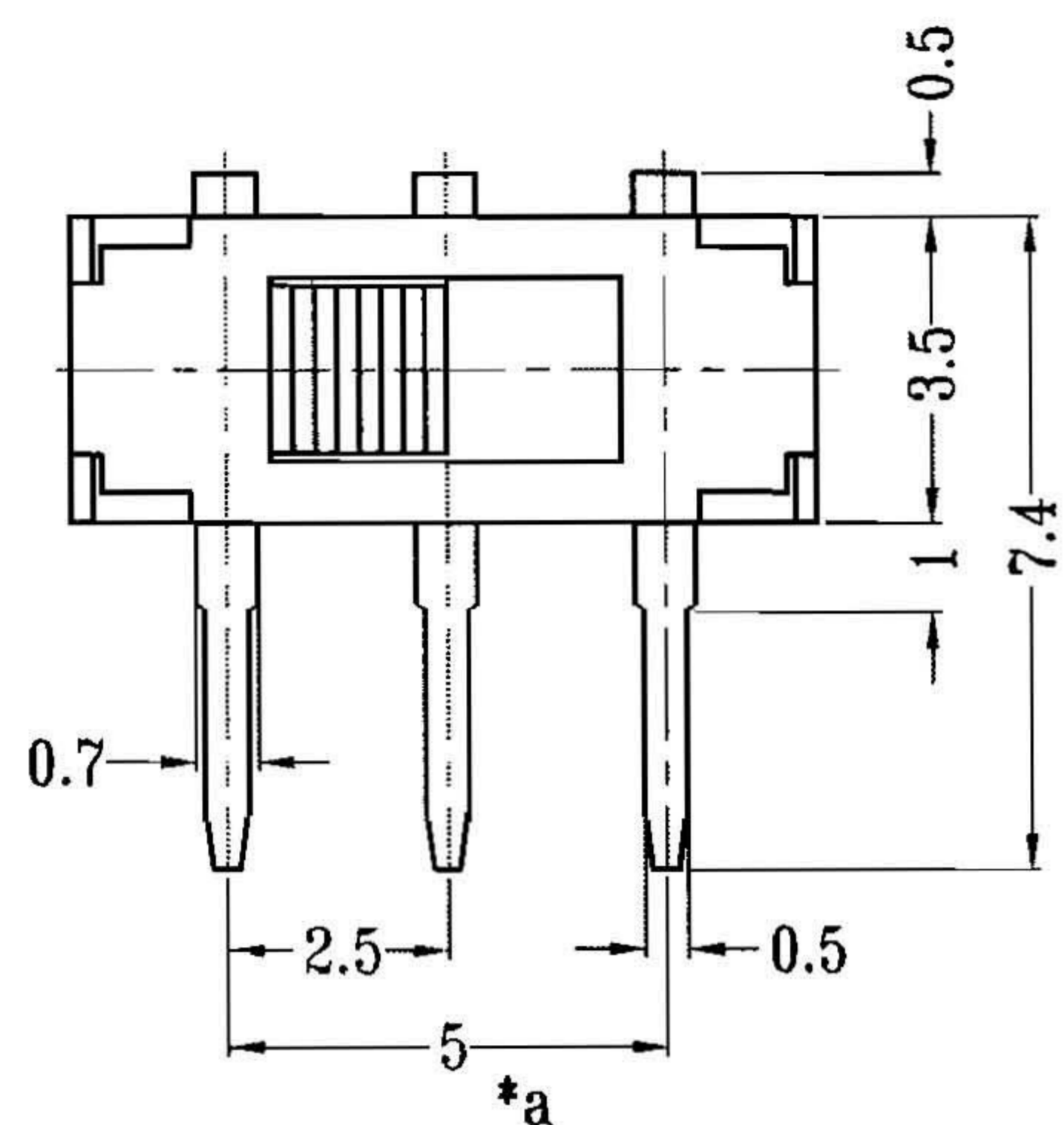
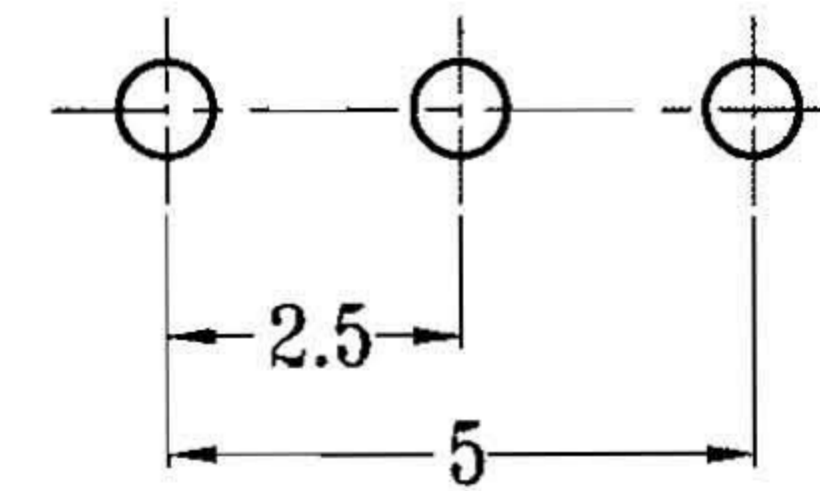


CAD FILE:



SCHEMATIC



P.C.B LAYOUT

NO.	PARTS	MATERIALS	Q'TY	FINISH	TOLERANCE UNLESS SPECIFIED			
8					UNLESS SPECIFIED			
7					WITHIN 1.5mm : ±0.1mm			
6					OVER 1.5mm : ±0.2mm			
5					B	13-Mar-2003	NYLON 66 AN4320SN	
4	CASE	PA46/BRASS STRIP	1	BLACK/Ag PLATED OVER Ni PLATED	ISSUE	DATE	DESCRIPTIONS OF REVISION	
3	CONTACT	PBS STRIP	1	Ag PLATED OVER Ni PLATED	TITLE : MINI SLIDE SWITCH		UNIT : mm	DRWG NO.: TT-DR-MK12D13-00
2	COVER	SUS STRIP	1	NATURAL	SCALE: 5:1		DWN.	
1	NOB	NYLON 66 (AN4320SN)	1	BLACK			CHK'D	
							APPD.	