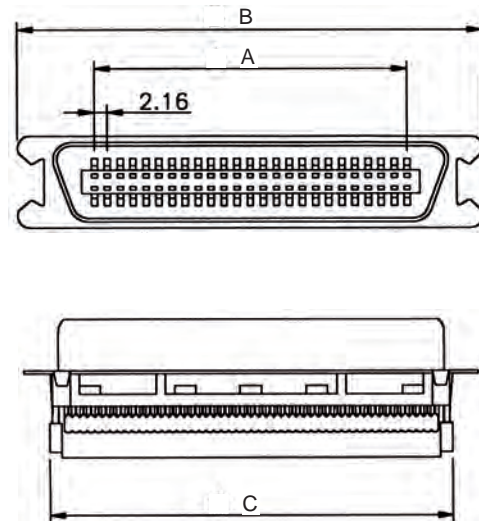
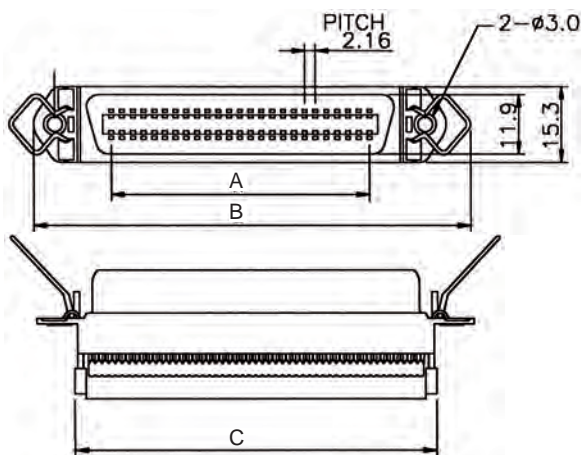


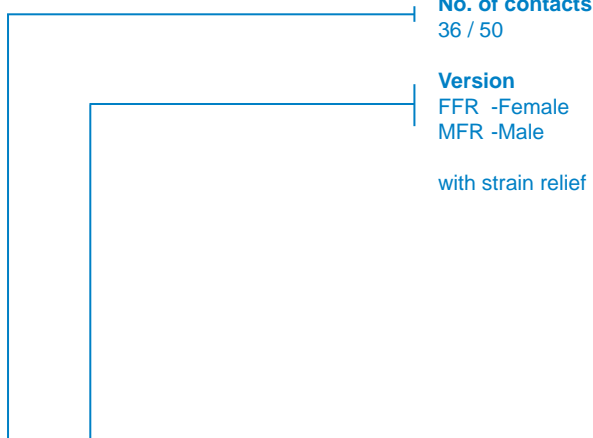
- Insulator material**  
PBT, UL94V-0
- Contact material**  
Brass
- Plating**  
Ni, Au / Sn
- Contact resistance**  
20mΩ max
- Insulation resistance**  
1000MΩ min
- Current rating**  
1A
- Operating temperature**  
-40°C - +105°C
- Operating voltage**  
250V AC
- Test voltage**  
1000V AC
- Packing**  
Tray packing

Dimensions (Female)			
No. of contacts	A	B	C
36	36.72	37.80	53.30
50	51.84	82.80	68.50

Dimensions (Male)			
No. of contacts	A	B	C
36	36.72	61.60	53.30
50	51.84	76.70	68.50



Ordercode



- No. of contacts**  
36 / 50
- Version**  
FFR -Female  
MFR -Male
- with strain relief

**A - 57 / xx x - N**

Please replace „x“ with appropriate option