

REV.	DESCRIPTION	DRAWN	CHECKED	APPROVED
A	NEW RELEASE	LJC 08/17/07'	~	

NOTES:

1. MATERIALS:

- . Housing: PBT+30% Glass Filber(UL 94 V-0).
- . Hood: ABS.
- . Washer: ABS.
- . Shell: Steel.
- . Contact: Copper alloy.
- . Screw: Steel.

2. SPECIFICATION:

- . Current Rating: 3A
- . Dielectric withstanding voltage: 500V For 1 minute
- . Insulator Resistance: 1000MΩ min
- . Temperature Range: -20°C ~ +105°C

3. PRODUCT NUMBER CODE:

DS1078-01 - X X X X X

Hood support

X: W/O Hood,SR & SCREWS

S: W/ Hood,SR & SCREWS

Color of housing

L:Blue

B:Black

CONTACT PLATED

O: Selective gold flash

Connector type

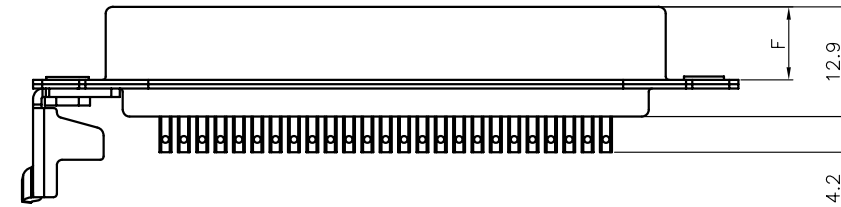
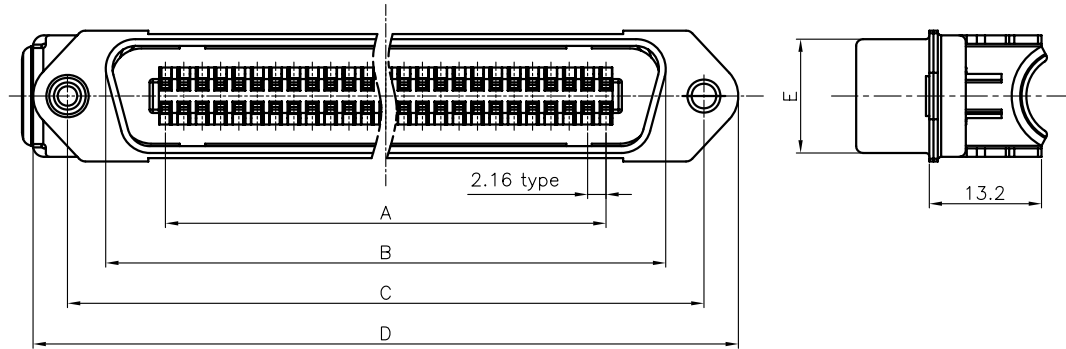
M: Male

F: Female

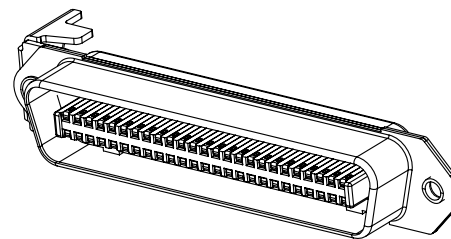
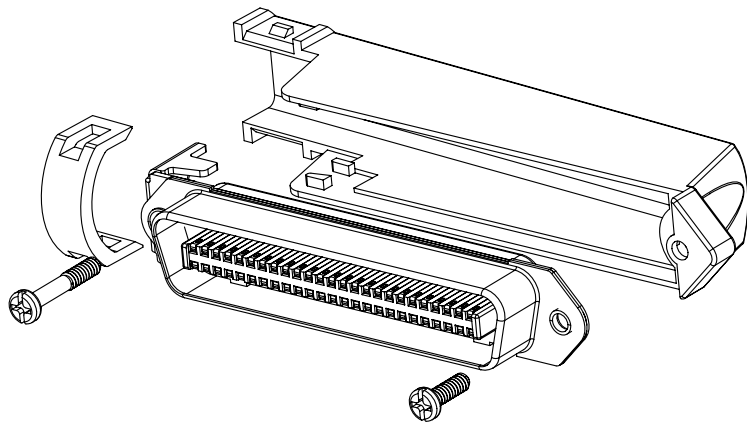
No. of contacts

36: 36pin

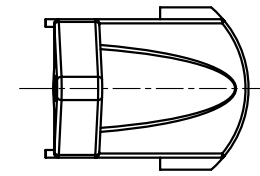
50: 50pin



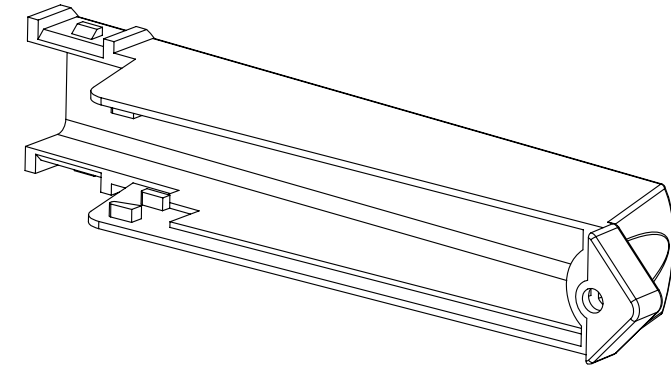
Positions	A	B		C	D	E		F	
		Male	Female			Male	Female	Male	Female
36pin	36.72	50.3	49.0	59.7	67.7	13.3	11.7	8.6	8.3
50pin	51.84	65.9	64.0	74.9	82.8	13.3	11.7	8.6	8.3



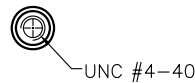
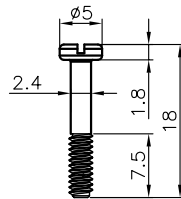
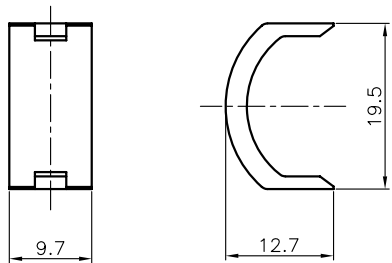
GENERAL TOLERANCE		ANGLE TOLERANCE		PROJECTION		TITLE	CENTRONIC CONNECTORS SOLDER WITH HOOD & SCREWS TYPE	
X.	±0.60	X.	±5°	UNITS	mm	SERIES	DS1078-01	
.X	±0.38	.X	±3°	SHEET SIZE	A4			
.XX	±0.25	.XX	±2°					
DRAWING TYPE		CUSTOMER			晨翔电子有限公司 CONNFLY® CONNFLY ELECTRONIC CO., LTD			
SCALE		1:1	SHEET 1 OF 2					
DRAWING NO.		C-DS1078-01-XXXXX						



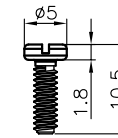
Positions	G
36pin	89.7
50pin	103.5



Hood



Long screw



Short screw

SR

GENERAL TOLERANCE		ANGLE TOLERANCE		PROJECTION		TITLE		
X.	± 0.60	X.	$\pm 5^\circ$	UNITS	mm	HOOD SR & SCREWS OF DS1078-01		
.X	± 0.38	.X	$\pm 3^\circ$	SHEET SIZE	A4	SERIES DS1078-01		
.XX	± 0.25	.XX	$\pm 2^\circ$					
DRAWING TYPE	CUSTOMER	晨翔电子有限公司 CONNFLY CONNFLY ELECTRONIC CO. LTD						
SCALE	1:1						SHEET	2 OF 2
DRAWING NO.	C-DS1078-01-XXXXX							

Tel: 86-574-63508787

Fax: 86-574-63510817

E-mail: connfly@connfly.com
<http://www.connfly.com>

Address: West Caom Town Cixi Ningbo China

P.C.: 315321