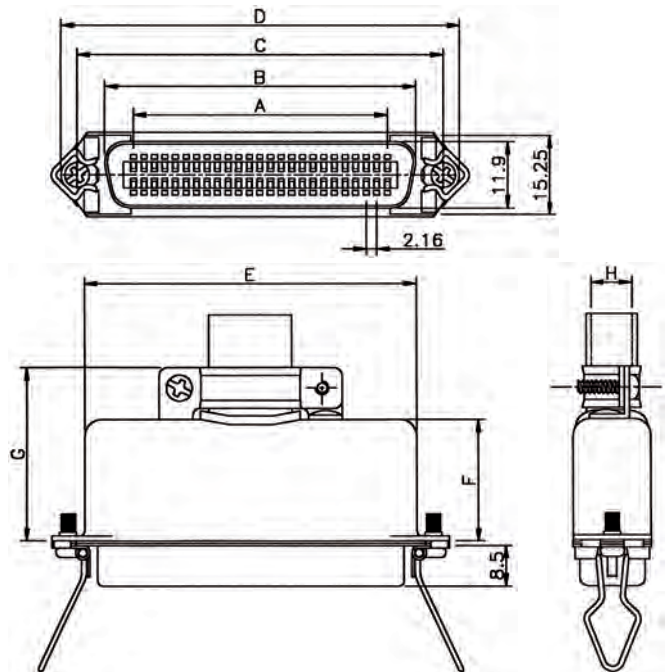


- Insulator material**
PBT, UL94V-0
- Contact material**
Brass
- Plating**
Ni, Au / Sn
- Contact resistance**
20mΩ max
- Insulation resistance**
1000MΩ min
- Current rating**
1A
- Operating temperature**
-40°C - +105°C
- Operating voltage**
250V AC
- Test voltage**
1000V AC
- Packing**
Tray packing

Dimensions				
No. of Contacts	A	B	C	D
36	36.72	48.90	59.70	67.70
50	51.84	64.10	74.90	82.80

Dimensions				
No. of contacts	E	F	G	H
36	52.80	23.00	33.10	11.5
50	68.00	25.00	35.50	12.5



Ordercode

No. of contacts

36 / 50

F-B - Female

A - 57 - xx - F-B

Please replace „x“ with appropriate option