

Insulator material
PBT, UL94V-0

Contact material
Brass

Plating
Ni, Au / Sn

Contact resistance
20mΩ max

Insulation resistance
1000MΩ min

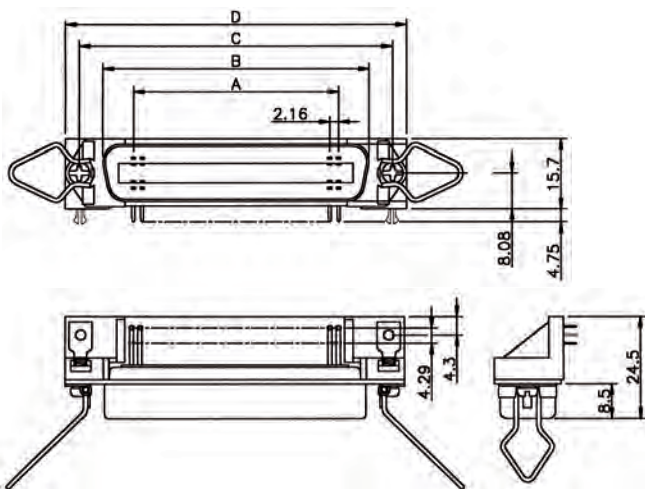
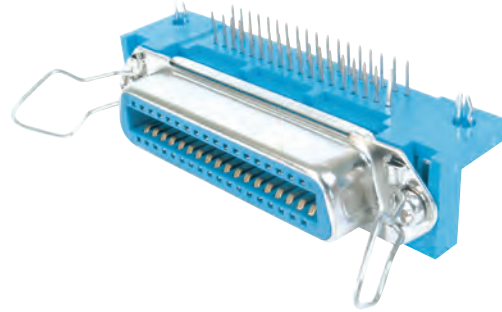
Current rating
1A

Operating temperature
-40°C - +105°C

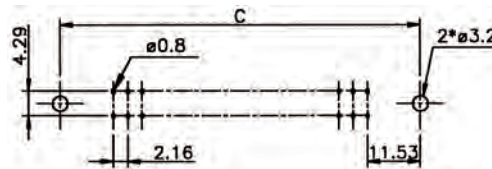
Operating voltage
250V AC

Test voltage
1000V AC

Packing
Tray packing



Dimensions				
No. of contacts	A	B	C	D
14	12.96	25.10	36.00	44.00
24	23.76	35.80	46.80	54.76
36	36.72	48.90	59.70	67.82
50	51.84	64.06	74.90	82.92



Ordercode

No. of contacts
14 / 24 / 36* / 50

A - 57 / xx FR / KL

Please replace „x“ with appropriate option

* Standard