

**Insulator material**  
PBT, UL94V-0

**Contact material**  
Brass

**Plating**  
Ni, Au / Sn

**Contact resistance**  
20mΩ max

**Insulation resistance**  
1000MΩ min

**Current rating**  
1A

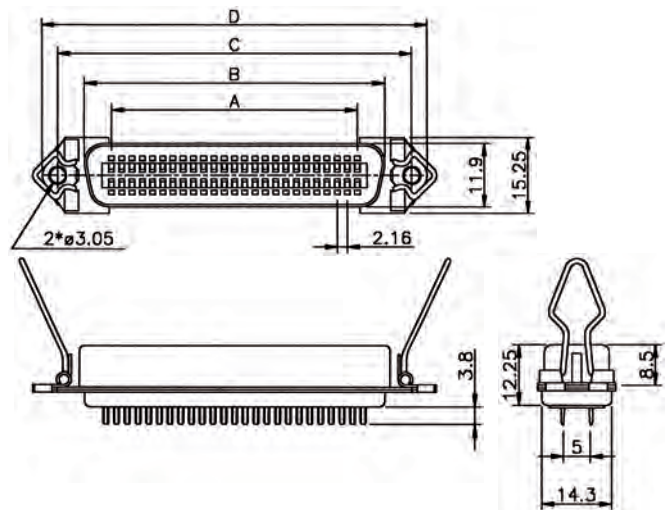
**Operating temperature**  
-40°C - +105°C

**Operating voltage**  
250V AC

**Test voltage**  
1000V AC

**Packing**  
Tray packing

Dimensions				
No. of contacts	A	B	C	D
14	12.96	25.20	36.00	43.90
24	23.76	36.00	46.80	54.70
36	36.72	48.90	59.70	67.70
50	51.84	64.10	74.90	82.80



Ordercode

**No. of contacts**

14 / 24 / 36 / 50

F - Female

**A - 57 / xx F**

Please replace „x“ with appropriate option