




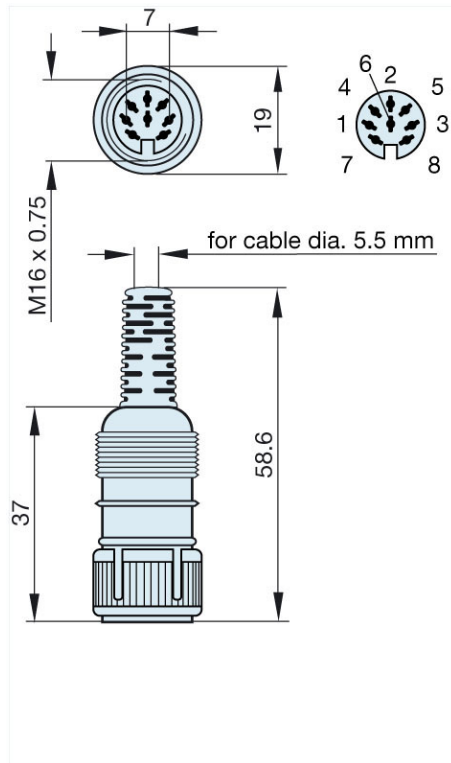
## Product information MAK 8100 S grau/grey

Industrial Connecting Solutions: Circular Connectors: Audio/Video Connectors: DIN EN 60 130-09 Connectors (MAS/MAK series): with locking screw: Straight sockets: MAK 8100 S grau/grey

<http://www.e-catalog.beldensolutions.com/link/57078-24228-256281-256282-24384-24391-24396-34593/en/conf/uistate>

Name	MAK 8100 S grau/grey
	
	socket with locking screw; solder joint
<b>Delivery informations</b>	
Availability	available
<b>Product description</b>	
Type	MAK 8100 S grau/grey
Order No.	930 538-517
Type of contact	female
Description	socket with locking screw; solder joint
Housing Color	grey
Number of contacts	8
Conductor size	$\leq 0.34 \text{ mm}^2$
<b>Technical data</b>	
LF output "Phone"	EN 60 130-09
Pole arrangement DIN	DIN 41 524 (sockets 1-5)
Rated current	4 A
Rated voltage	AC/DC 34 V
Cable diameter	5.5 mm
Type of termination	solder
<b>Material</b>	
Contact material (socket)	brass
Contact surface material	tin plated
Contact bearer material	PA 66/UL standard 94V-2
Housing material	PE
<b>Environmental conditions</b>	
Protection class (IEC 60529)	IP 30
Temperature range	-20 °C to +60 °C
<b>Scope of delivery and accessories</b>	
Packaging	retail package, polyethylene bag

Picture  
Drawing



**Belden Deutschland GmbH**  
 Im Gewerbepark 2  
 58579 Schalksmühle  
 Germany  
 Phone: +49 7127/14-1806  
 E-Mail: [icos-sales@belden.com](mailto:icos-sales@belden.com)

The information published in the websites has been compiled as carefully as possible. It is subject to alteration without notice in technical as well as in price-related/commercial respect. The complete information and data were available on user documentation. Mandatory information can only be obtained by a concrete query.