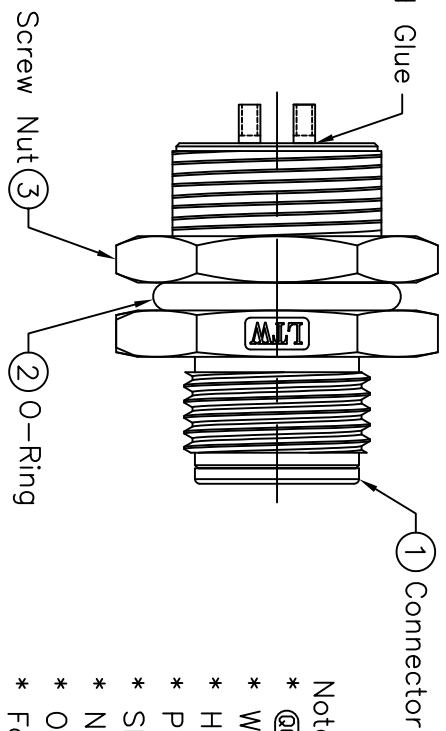
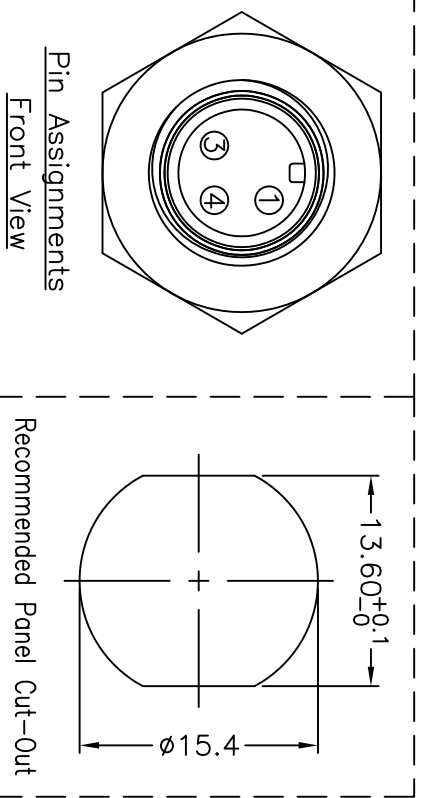
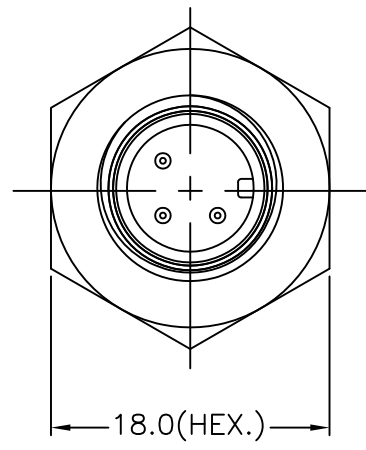
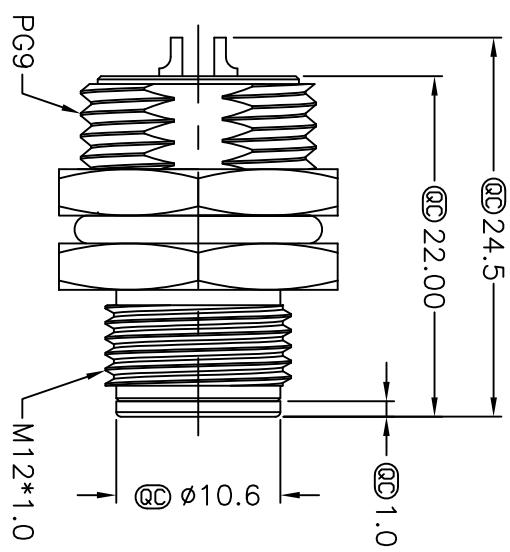
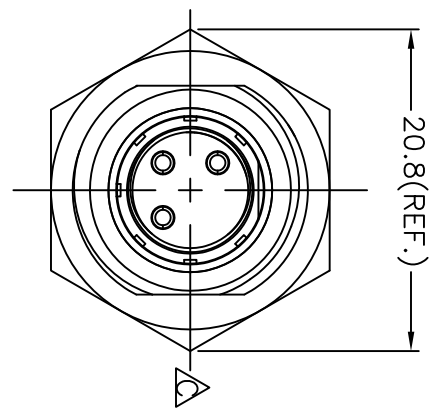
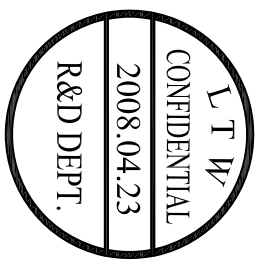
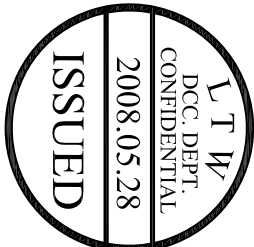


REV.	EGN. NO.	DATE	SIGN.	DESCRIPTION
B	LEN-7A0018	2007/09/29	Myrdal	Added Note
C	LEN-850068	2008/04/23	Zhang Jin	Change View.



- Note:
- \* @Important Dimension.
  - \* Waterproof Rate: IP68
  - \* Housing: Black, Nylon+GF
  - \* Pin: Copper Alloy, Gold Plated
  - \* Shield: Zinc Alloy, Nickel Plated
  - \* Nut: Zinc Alloy, Nickel Plated
  - \* O-Ring: Black, EPDM
  - \* For Panel Thickness Max 4.5mm
  - \* Nut Torque: 4-6 kgf.cm

UNIT:mm		TITLE	M12 Conn
TOLERANCE		Panel Screw	3Pin M Conn M Pin
.X	±0.25	SCALE	Free
.XX	±0.1	SIZE	A4
.XXX	±0.05	SHEET	1 OF 1
ANGLES	±1°	REV.	C
		SIZE	A4
		①	Inspection Item

**LTW**  
亮泰企業股份有限公司

ITEM NO	LTW12-03PMMS-SH8001	DRAWN BY	Zhang Jin	DATE	2008/04/23
DWG NO	LTW12-03PMMS-SH8001	CHECKED BY	Ling	DATE	2008/04/25
CUSTOMER		APPROVED BY	Win	DATE	2008/04/25