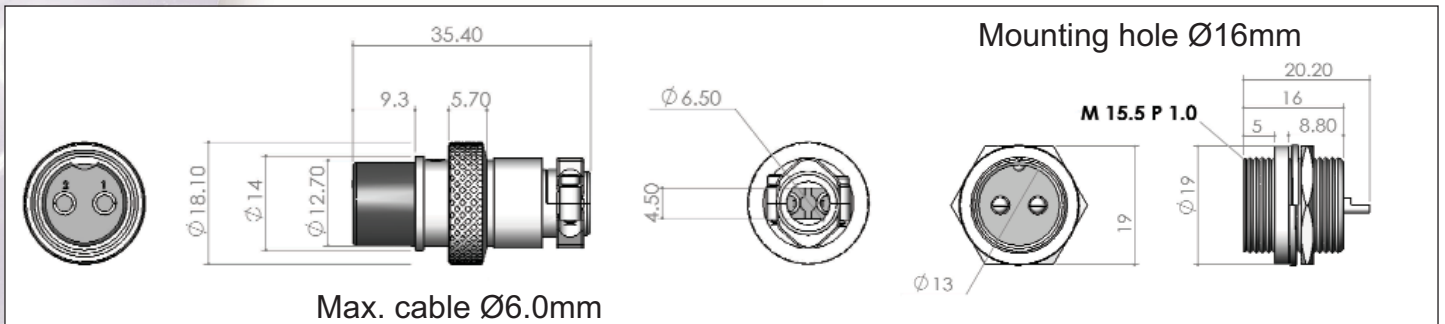


CLIFF

CLIFFCON MINIATURE ZC SERIES Locking multipole shielded connectors



ZC Series are available in a range of 2 pole to 8 pole plugs and sockets. Primarily they are intended for low voltage and signal applications. Contacts are tin plated, and other metal parts are brass or mazac, nickel plated. There are 90° versions of the plug. (To order - not stocked).



Plug Part Numbers:

2 Pole.....	FC684212
3 Pole.....	FC684213
4 Pole.....	FC684214
5 Pole.....	FC684215
6 Pole.....	FC684216
7 Pole.....	FC684217
8 Pole.....	FC684218

90° Plug Part Numbers:

2 Pole.....	FC684222R
3 Pole.....	FC684223R
4 Pole.....	FC684224R
5 Pole.....	FC684225R
6 Pole.....	FC684226R
7 Pole.....	FC684227R
8 Pole.....	FC684228R

Socket Part Numbers:

2 Pole.....	FC684202
3 Pole.....	FC684203
4 Pole.....	FC684204
5 Pole.....	FC684205
6 Pole.....	FC684206
7 Pole.....	FC684207
8 Pole.....	FC684208

Specification: Rated 1A / Pin - 48V max.

Cliff Electronic Components, Ltd.

76 Holmethorpe Avenue, Holmethorpe Ind. Est.

Redhill, Surrey RH1 2PF. England

Tel: +44 (0) 1737 771375

Fax: +44 (0) 1737 766012

Email: sales@cliffuk.co.uk



Visit us online at:

www.cliffuk.co.uk