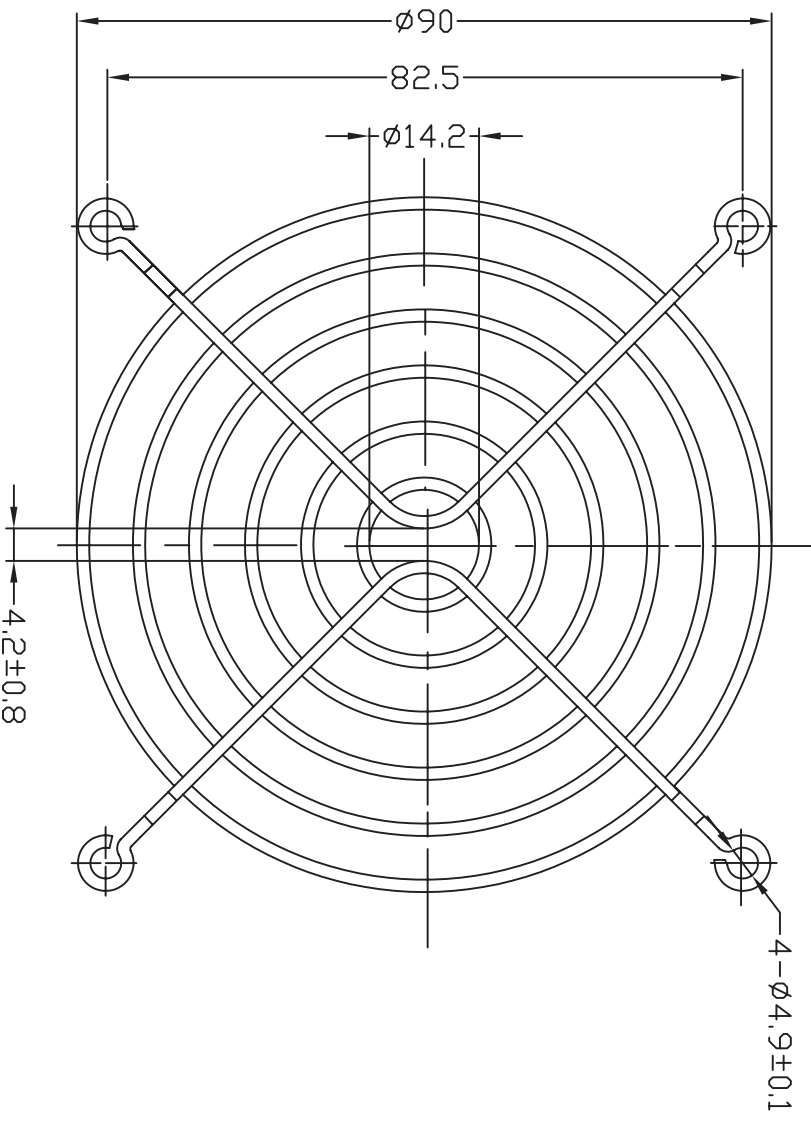


| EDITION | DATE | REVISION RECORD | REVISION NO. | APPROVED |
|---------|------|-----------------|--------------|----------|
| | | | | |



- NOTES:
- 1.MATERIAL:C1008 BRIGHT BASIC WIRE.
 - 2.FINISH:BRIGHT NICKEL CHROME.Cr3+
 - 3.(1)RINGS ARE ϕ 1.6mm.
(2)RIBS ARE ϕ 1.8mm.
 - 4.WELD JOINTS TO WITHSTAND 88 LBS PULL FORCE.
 - 5.SPACING BETWEEN RINGS TO BE EQUIDISTANT 5.66mm.
 - 6.GENERAL TOLERANCE UNLESS NOTED: \pm 0.5mm.
 - 7.PART MEETS ϕ 6.35mmPLUG GAUGE TEST.
 - 8.UNIT:mm.

| APPROVED | CHECKED | DESIGNED | DRAWN | MATERIAL | SEE NOTES | TITLE | FAN GUARD |
|--------------|---------|----------|-------|----------|-----------|----------|-----------|
| | | | | | | | |
| SCALE | | 1 | 1 | FINISH | SEE NOTES | PART NO. | REV |
| DRAWING DATE | | | | | | | 0 |