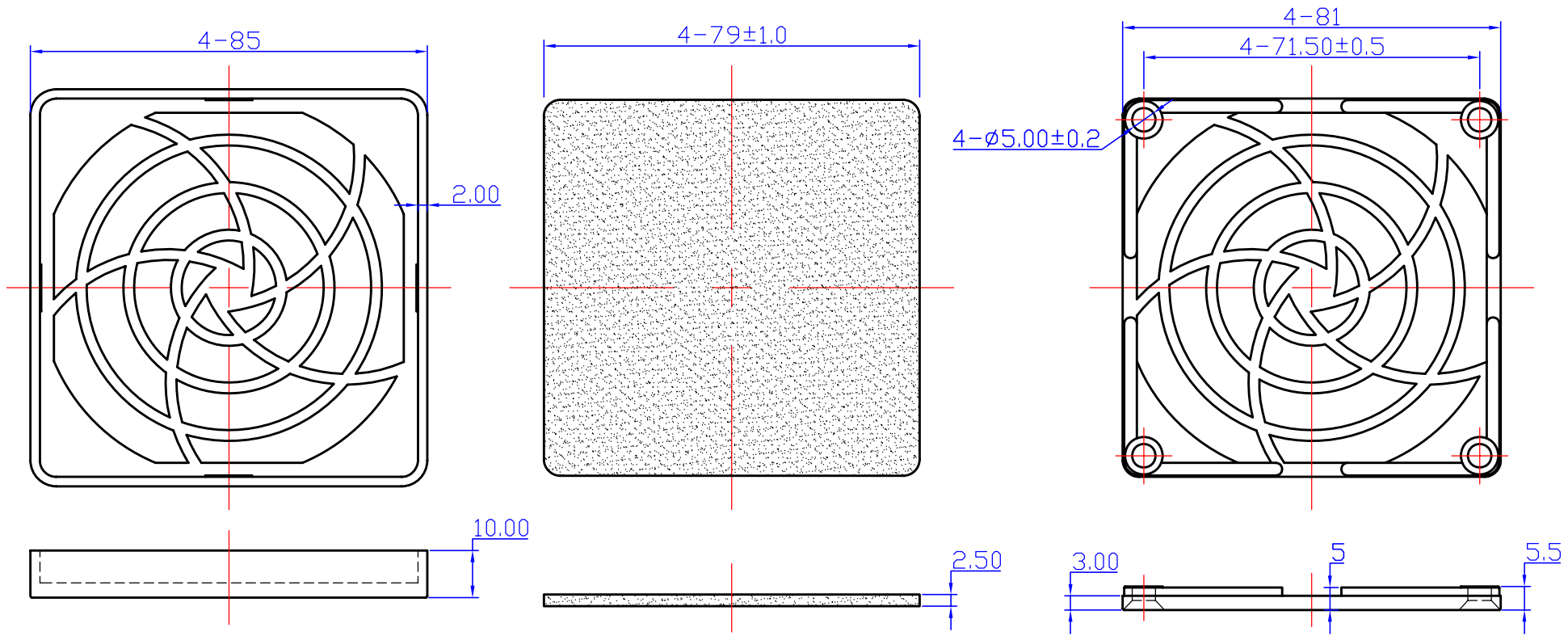


EDITION	DATE	REVISION RECORD	REVISION NO.	APPROVED



NOTES:

FAN GUARD MATERIAL : ABS-757.  
 FILTER DENSITY : PPI 30、35、40、45.  
 GENERAL TOLERANCE UNLESS NOTED : ±0.5  
 UNIT : mm.

DO NOT SCALE DRAWING			⊕	≡	CUSTOMER PART NO.	
DRAWN BY	CHECKED	APPROVED	SCALE		<b>TME PART NO.</b>	<b>FG-24</b>
			DRAWING DATE		MATERIAL	SEE NOTES
			2007.8.15		FINISH	SEE NOTES