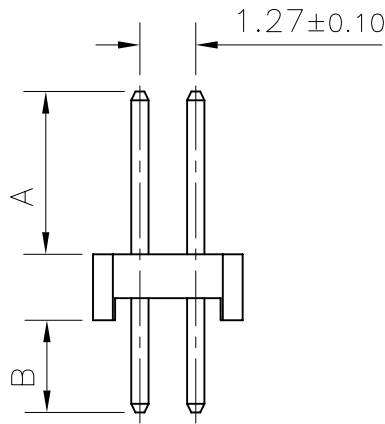
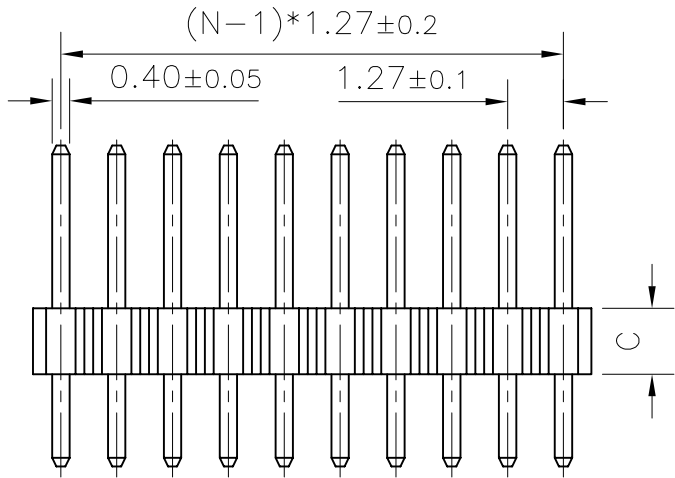
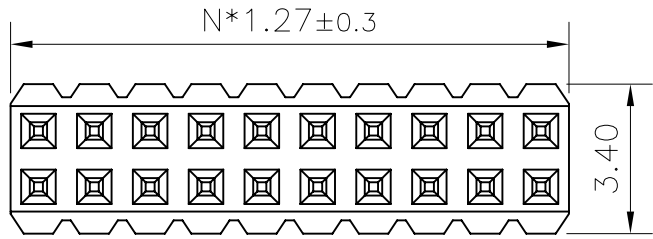
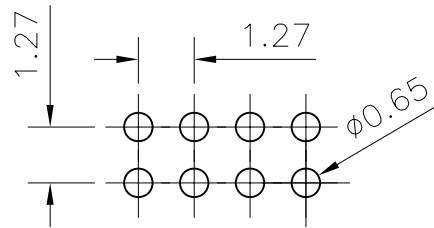


REV.	DESCRIPTION	DRAWN	CHECKED	APPROVED
A	NEW RELEASE	YCH 08/11/07'	~	



N: HALF OF CONTACTS



RECOMMEND PCB LAYOUT(TOLERANCE=±0.05)

NOTES:

- MATERIAL
 - INSULATOR:THERMOPLASTIC(UL 94V-0).
 - CONTACT MATERIAL:COPPER ALLOY.
- SPECIFICATION
 - CURRENT RATING:1.0 Amp.
 - INSULATION RESISTANCE:500MΩ Min.
 - DIELECTRIC WITHSTANDING:300VAC.
 - CONTACT RESISTANCE:20mΩ Max.
 - OPERATING TEMPERATURE:-40°C TO+105°C.
- PRODUCT NUMBER CODE:

DS1031-06 - X X X X X X X

- DIM.A B TYPE
 - TYPE 1
 - TYPE 2
- HOUSING HEIGHT(DIM. C)
 - 1.00mm
 - 1.50mm
 - 1.70mm
 - 2.00mm
- MOUNTING TYPE
 - V: VERTICAL TYPE
- HOUSING COLOR
 - B:BLACK
- CONTACT PLATING
 - 8: FULL GOLD FLASH
- CONNECTOR TYPE
 - P:PLUG
- No.OF CONTACTS
 - 2*1-2*40

18		
19		
20		
21		
22		
23		
24		
25		


10		
11		
12		
13		
14		
15		
16		
17		

TYPE	DIM A	DIM B
1	3.70	2.10
2	3.50	3.50
3	4.00	2.50
4		
5		
6		
7		
8		
9		

GENERAL TOLERANCE		ANGLE TOLERANCE	
X.	±0.60	X.	±5°
.X	±0.38	.X	±3°
.XX	±0.25	.XX	±2°

PROJECTION	TITLE	1.27mm PITCH PIN HEADER DUAL ROW STRAIGHT	
UNITS	mm	SHEET	1 OF 1
SHEET SIZE	A4	SERIES	DS1031-06 SERIES

DRAWING TYPE	CUSTOMER		
SCALE	1:1	SHEET	1 OF 1
DRAWING NO.	C-DS1031-06-XXXXXXX		


晨翔电子有限公司
CONNFLY® CONNFLY ELECTRONIC CO., LTD