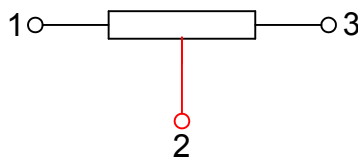
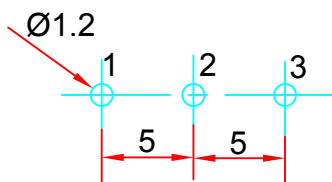
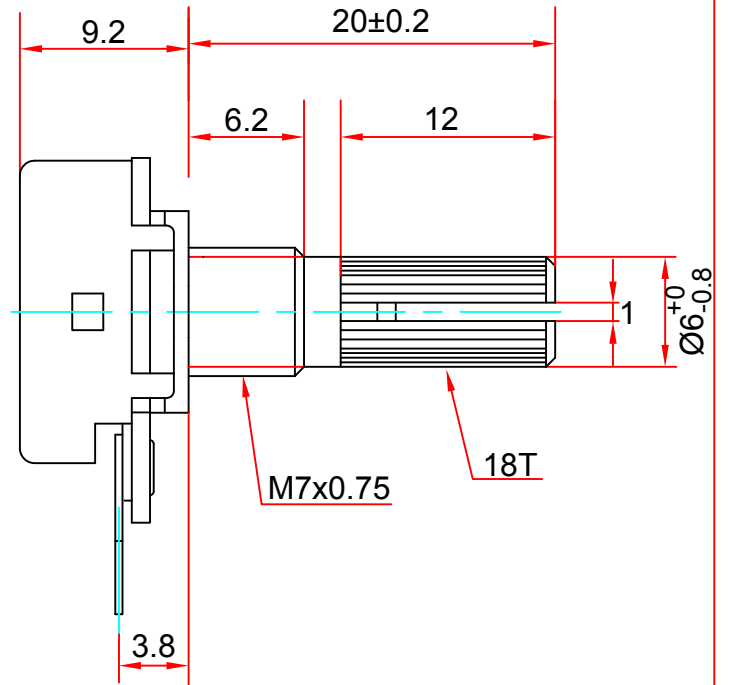
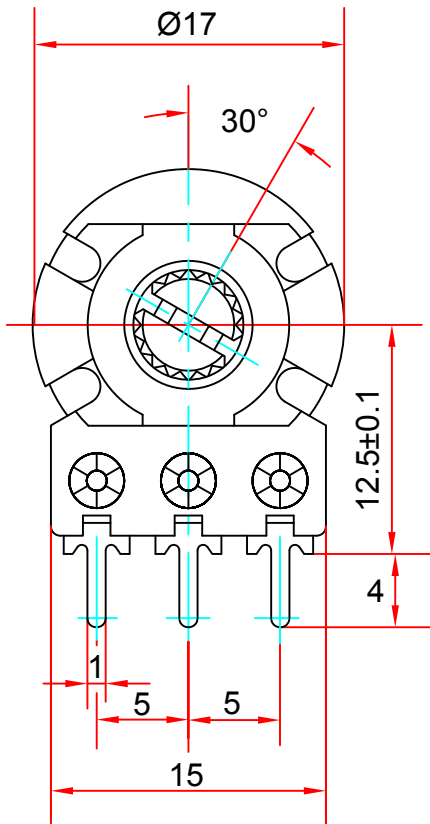


R16148-1A-2

R16148-1A-2	
1 Electrical specifications	
1.1 Total Resistance	1K Ω ~500K Ω \pm 20%
1.2 Resistance taper	A、 B
1.3 Voltage proof	1/Minute At 500V AC
1.4 Rotational noise	Less than 100mV
1.5 Tracking error	
1.6 Rated wattage	Curve B:0.125W Other than B: 0.063W
1.7 Max operating voltage	Curve B:200V AC Other curve B: 150V AC
1.8 Residual resistance	R1,2 < 5 Ω ; R2,3 < 10 Ω
1.9 Insulation resistance	\geq 100M Ω at DC500V
1.10 Operating Temperature	-10 ~ 60 $^{\circ}$ C
2 Mechanical specifications	
2.1 Drawing	See the attachment
2.2 Total rotation angle	300 \pm 5 $^{\circ}$
2.3 Rotation Torque	2~20mN.m (20~200gf.cm)
2.4 Shaft stop strength	>6Kgf.cm
2.5 Push pull strength	60N
2.6 Switch Rotational Angle	/
2.7 Switch Contact Resistance	/
2.8 Rotary life	10,000cycle



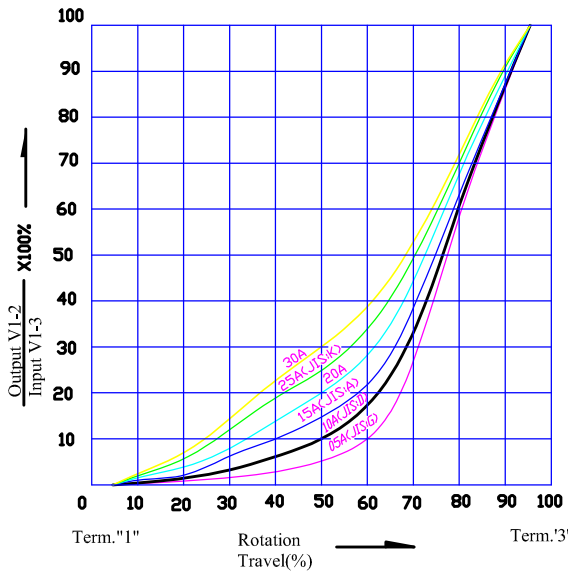
2				5			
1				4			
	DATE	REVISION	APPROVED	3			
			MODER:			DRAWING NO:	
DWN	DHKD	APPD					

Resistance taper 電阻規律曲線類型

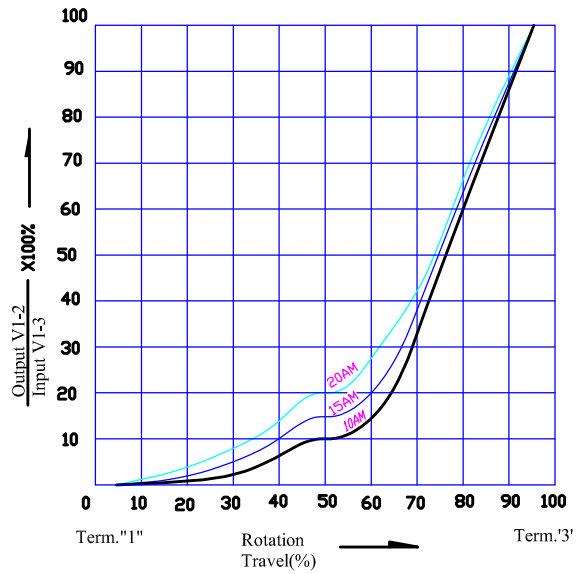


Pattern of resistance curve

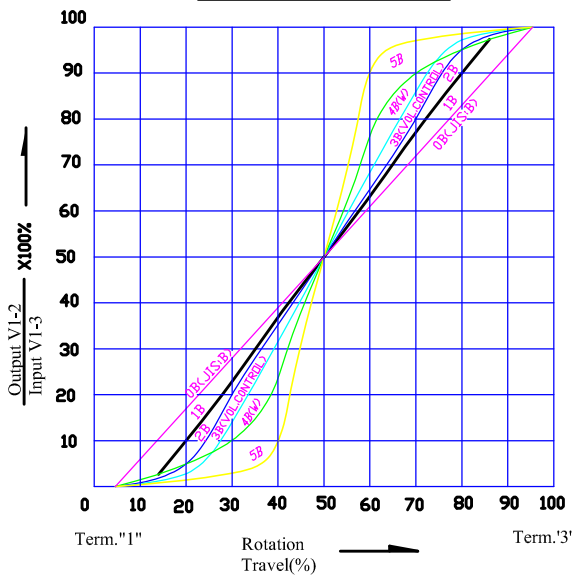
TAPERS (A) SERIES



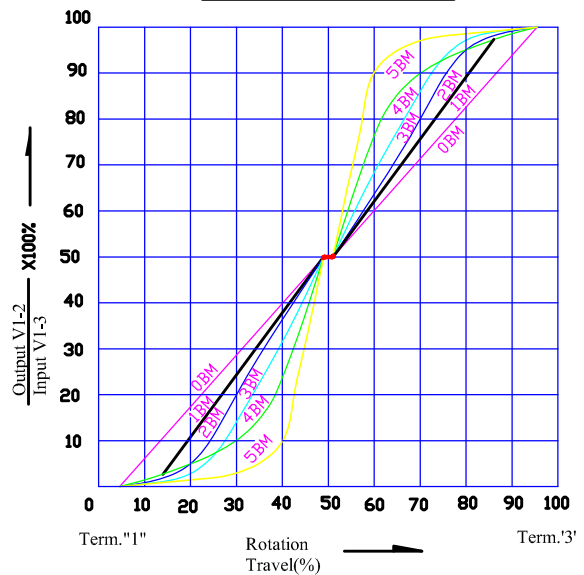
TAPERS (A) WITH 50% TAP



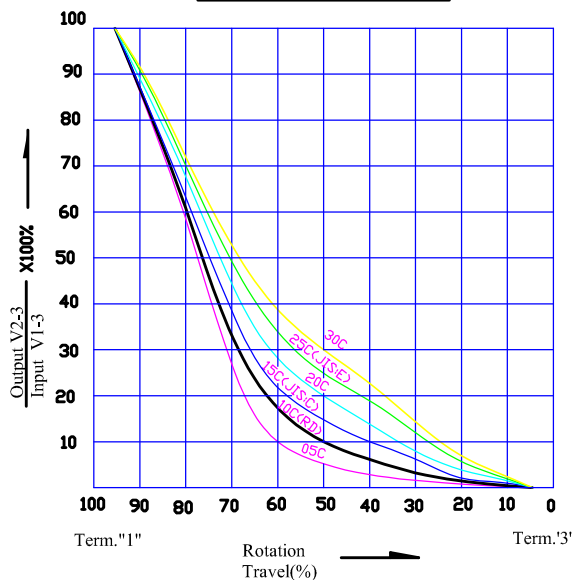
TAPERS (B) SERIES



TAPERS (B) WITH 50% TAP



TAPERS (C) SERIES



TAPERS (M) & (N)

