

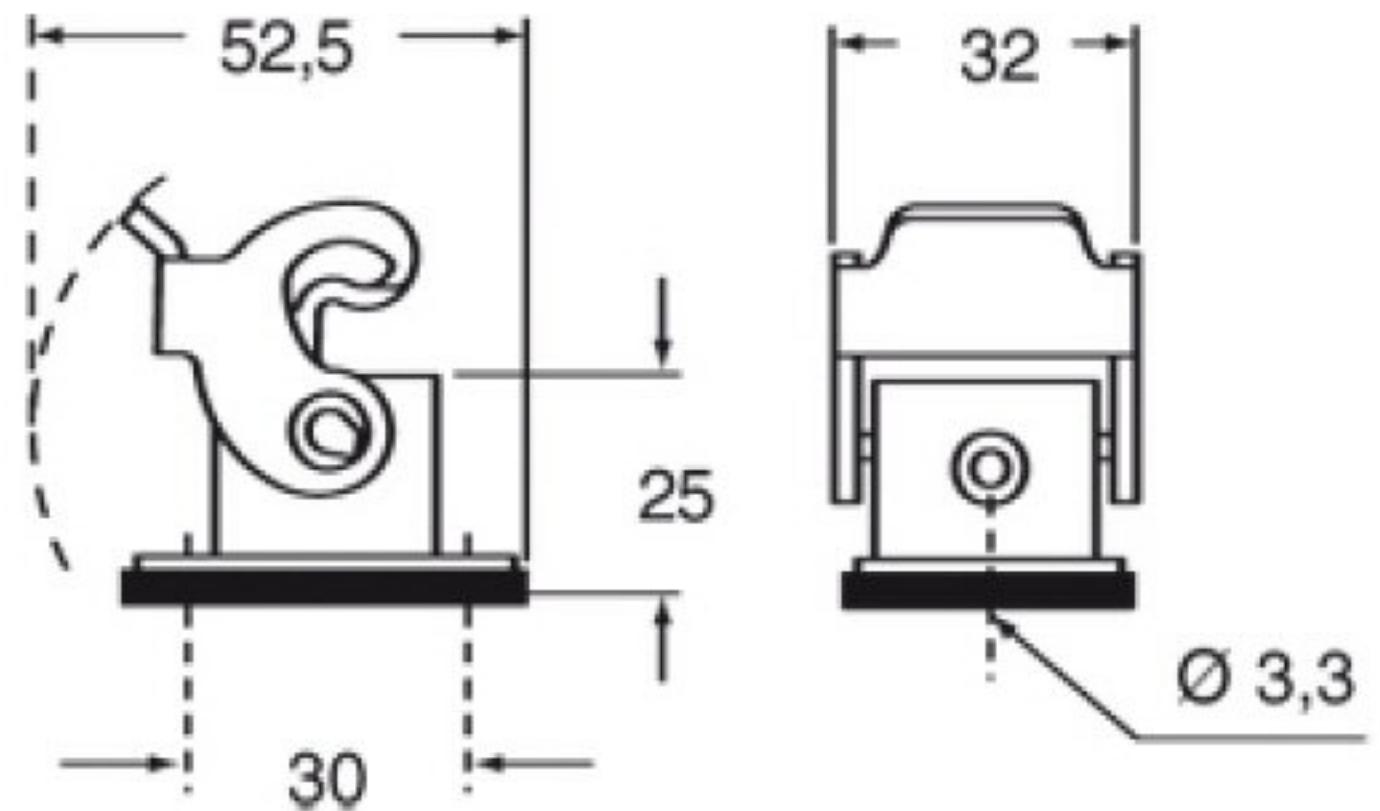
Product Sheet






www.ilme.com

Part Number:

CK 03 I



Family	CK and MK enclosures
Version	insulating version
Series	bulkhead mounting housings with single lever
Product type	with 1 lever
Execution	white colour
Quality mark	 US type: 12,(type 4/4X only with kit CKR 65 or CKR 65 D),  
IP degree of protection	IP44 (EN 60529) degree of protection, IP66/67 degree of protection with CKR 65 kit or CKR 65 D kit.
Fixing centre distance	size "21.21"
Material	insulating

The information and the dimensions contained are not binding and may be changed without prior notice.

The drawing's dimensions are in mm.