

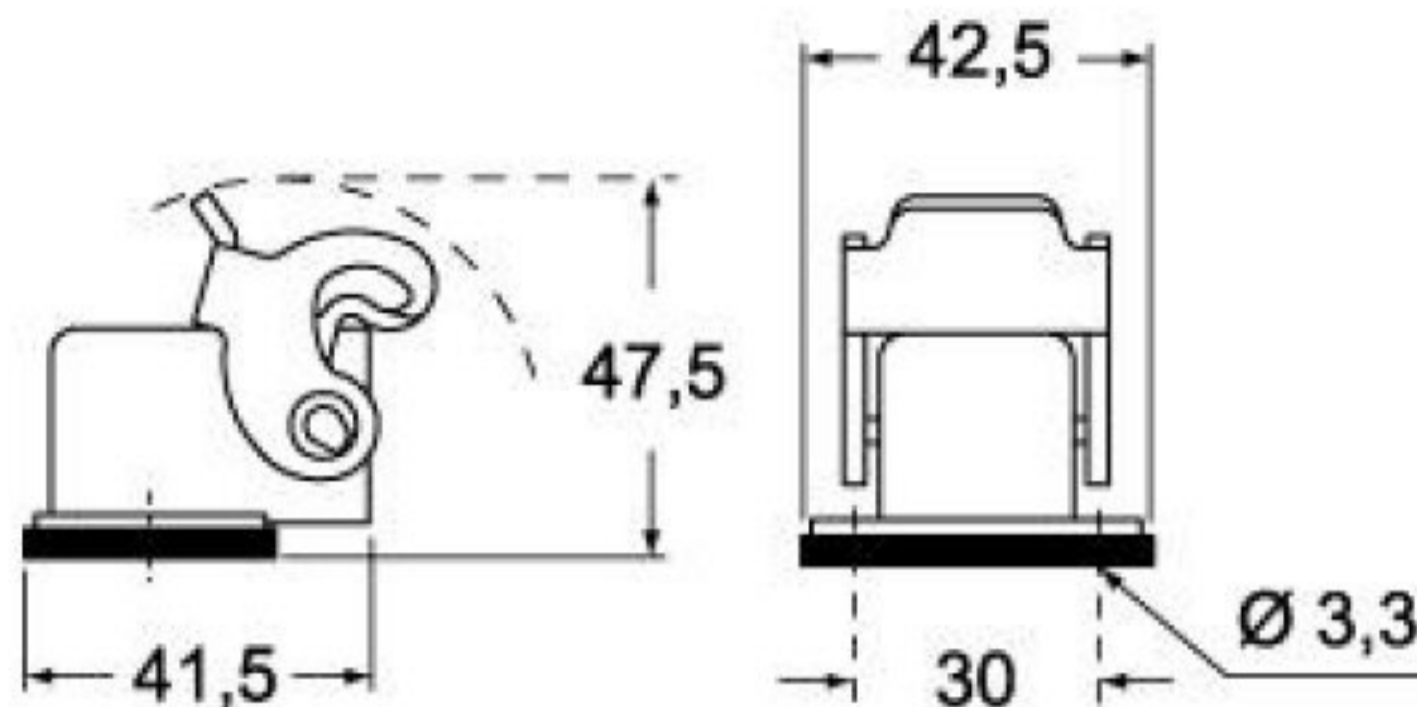
Product Sheet



www.ilme.com

Part Number:

CK 03 IA



Family

CK and MK enclosures

Version

insulating version

Series

angled bulkhead housings with single lever

Product type

with 1 lever

Type

without cable gland

Execution

white colour

Quality mark

 US type: 12, (type 4/4X only with kit CKR 65 or CKR 65 D),  

IP degree of protection

IP44 (EN 60529) degree of protection, IP66/67 degree of protection with CKR 65 kit or CKR 65 D kit.

Fixing centre distance

size "21.21"

Material

insulating

The information and the dimensions contained are not binding and may be changed without prior notice.

The drawing's dimensions are in mm.