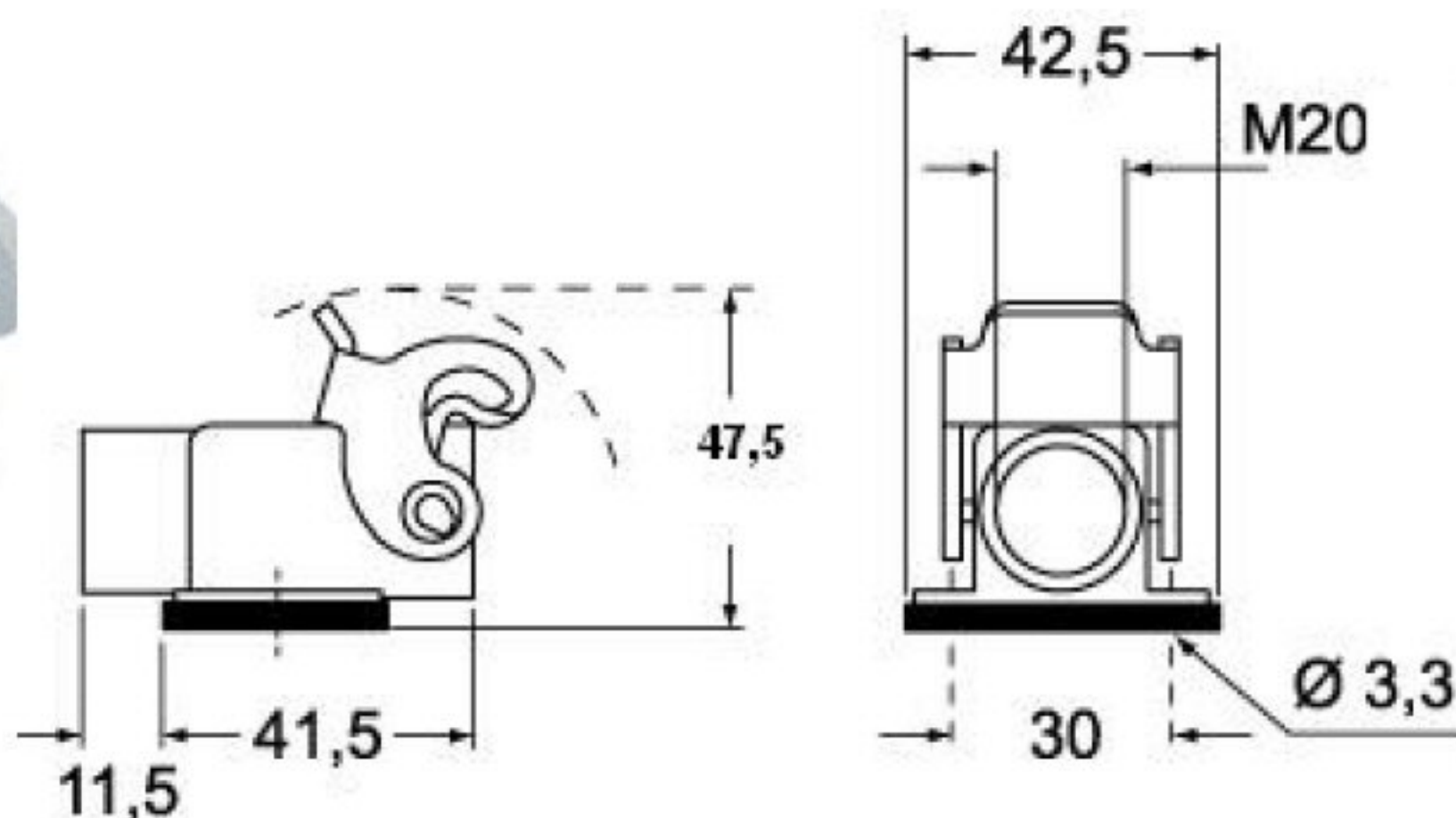


Product Sheet

Part Number: MK IAP20



www.ilme.com



| | |
|--------------------------------|---|
| Family | CK and MK enclosures |
| Version | insulating version |
| Series | angled bulkhead housings with single lever |
| Product type | with 1 lever |
| Type | with threaded entry |
| Execution | white colour |
| Quality mark | C ^{RU} ® US type: 12,(type 4/4X only with kit CKR 65 or CKR 65 D), (GL) (CCC) |
| IP degree of protection | IP44 (EN 60529) degree of protection, IP66/67 degree of protection with CKR 65 kit or CKR 65 D kit. |
| Cable entry | M20 |
| Fixing centre distance | size "21.21" |
| Material | insulating |

The information and the dimensions contained are not binding and may be changed without prior notice.
The drawing's dimensions are in mm.