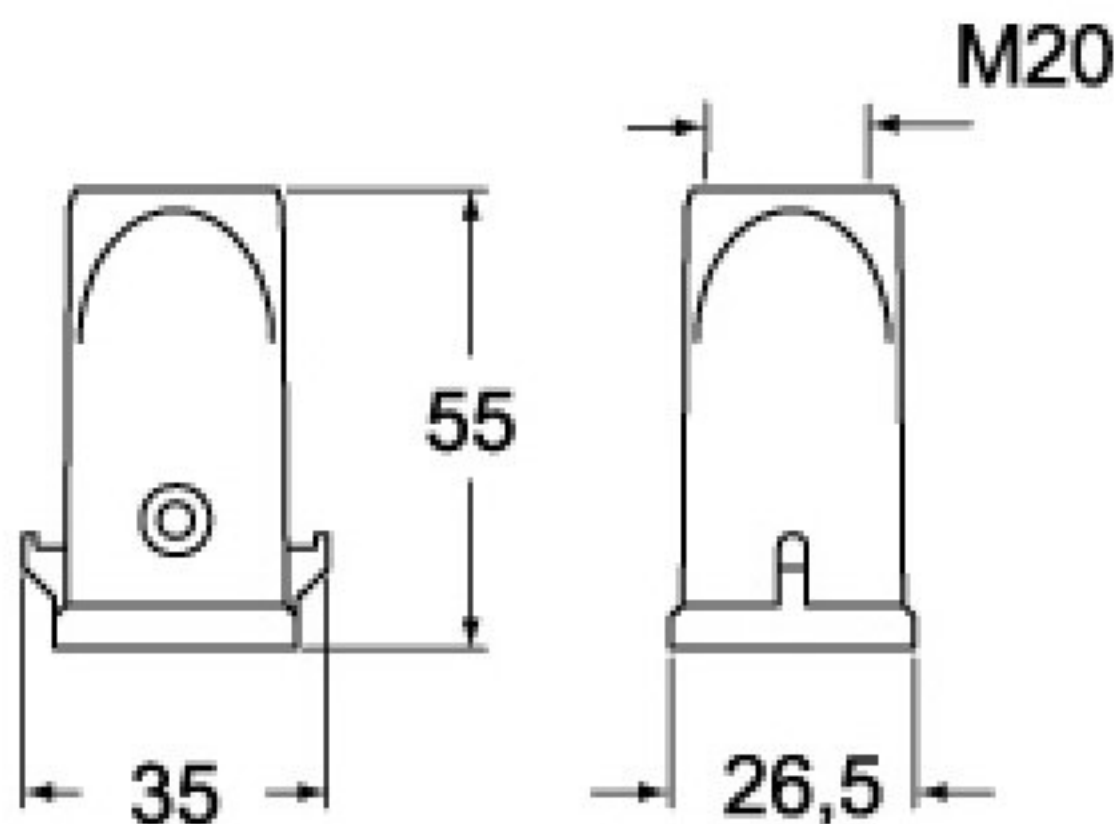





Product Sheet



Part Number:

MK V20



Family	CK and MK enclosures
Version	insulating version
Series	hoods for single lever
Product type	with 2 pegs
Type	top entry
Execution	white colour
Quality mark	 US type: 12,(type 4/4X only with kit CKR 65 or CKR 65 D),  
IP degree of protection	IP44 (EN 60529) degree of protection, IP66/67 degree of protection with CKR 65 kit or CKR 65 D kit.
Cable entry	M20
Fixing centre distance	size "21.21"
Material	insulating

The information and the dimensions contained are not binding and may be changed without prior notice.
The drawing's dimensions are in mm.