

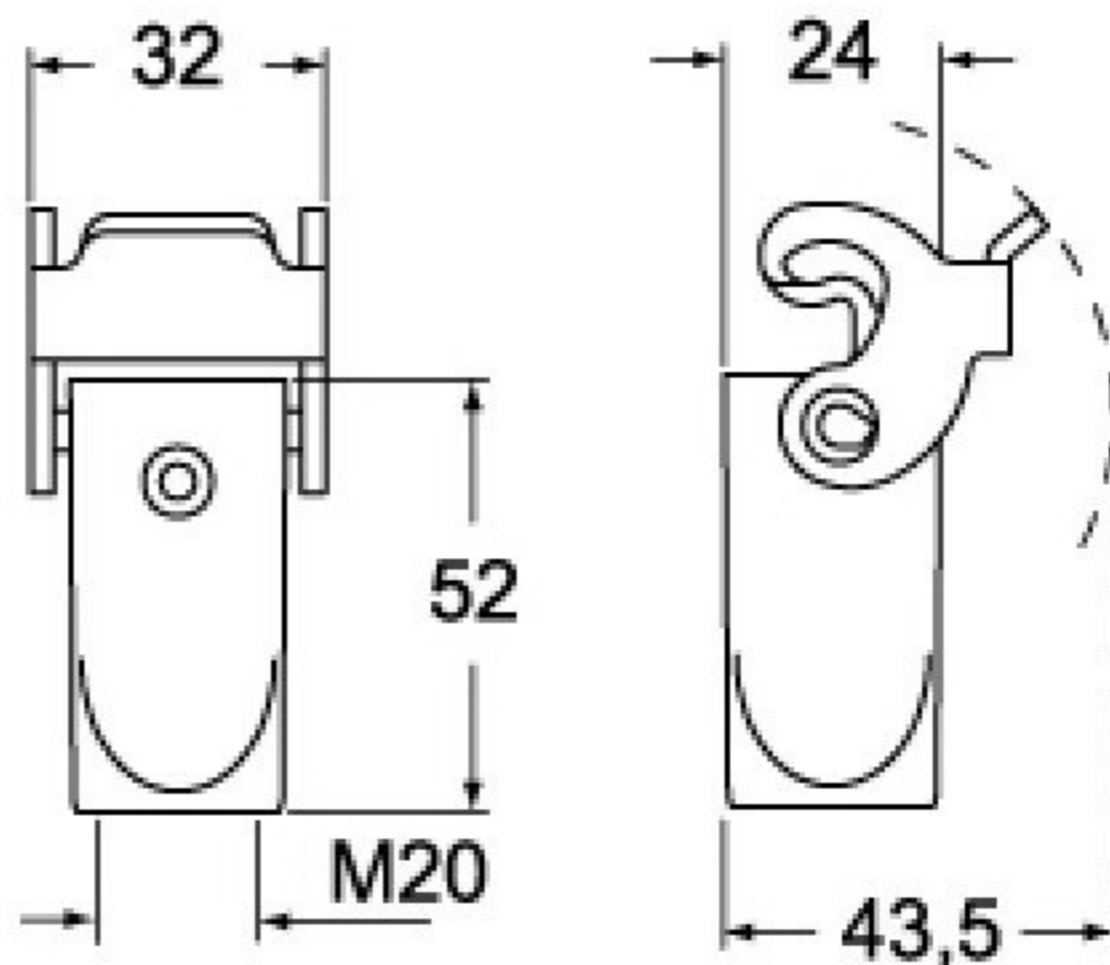
# Product Sheet






www.ilme.com

**Part Number:**

**MK VG20**



<b>Family</b>	CK and MK enclosures
<b>Version</b>	insulating version
<b>Series</b>	Hoods with single lever
<b>Product type</b>	with 1 lever
<b>Type</b>	top entry
<b>Execution</b>	white colour
<b>Quality mark</b>	 US type: 12,( type 4/4X only with kit CKR 65 or CKR 65 D),  
<b>IP degree of protection</b>	IP44 (EN 60529) degree of protection, IP66/67 degree of protection with CKR 65 kit or CKR 65 D kit.
<b>Cable entry</b>	M20
<b>Fixing centre distance</b>	size "21.21"
<b>Material</b>	insulating

The information and the dimensions contained are not binding and may be changed without prior notice.

The drawing's dimensions are in mm.