



Carbon Rotary Potentiometers - 16 mm size

Singles Plastic Case

Types
CIP160KC
P160KC

Mechanical data

Rotation angle: $270^\circ \pm 5^\circ$
 Operating torque: $0.4 \div 1.5$ Ncm
 Permissible torque at end stop: 60 Ncm max
 Permissible axial spindle load: 100 N
 (5 sec max)
 Tap: Z2 at 50% of rotation
 Weight, std. spindle: ~ 6 g

Optional features

- Rotation angle $300^\circ \pm 5^\circ$: types **CIP162KC** and **P162KC**
- Central click, for CIP160KC and P160KC types only; case dimension 13.8 mm instead 8.6 mm
- Earth termination for metal case type

Electrical data

Rated dissipation @ 40°C : 0.25 W linear law
 0.12 W non-linear law
 Limiting element voltage: 350 VDC
 Insulation resistance: ≥ 5 G Ω
 Insulation voltage: 500 VAC
 Rated resistance: E3 Series; optional E6 Series
 • linear law: 100R to 4M7
 • non-linear law: 1K0 to 2M2
 Tolerance on rated resistance:
 • 100R to 1M0: $\pm 20\%$
 • over 1M0: $\pm 30\%$
 • optional (1K0 to 1M0): $\pm 10\%$
 Resistance law: A, B, C, F, T, S, X
 With tap: A2, B2, C2, S2



H = 15 optional

Types

CIP160KC	P.c. terminations
P160KC	Solder tag terminations

Standard spindle & bush

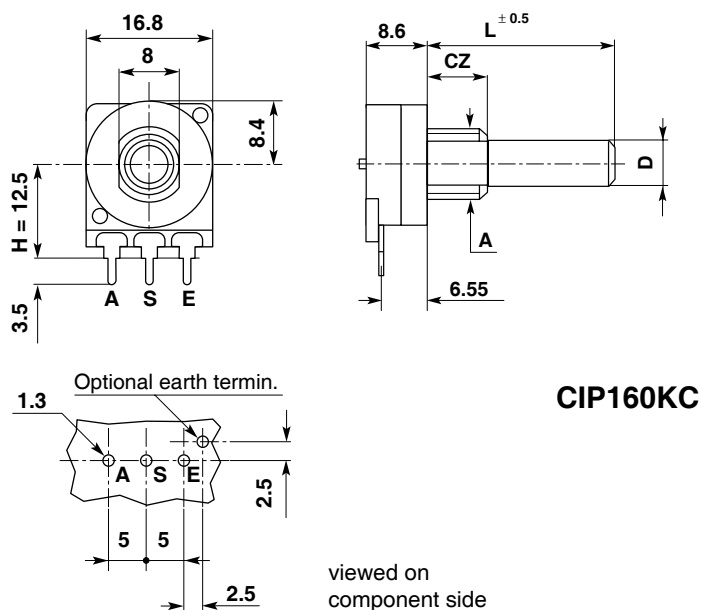
D = 6 mm, L = 50 mm, plastic, F1 type
 A = M10x0.75, CZ = 8 mm, KC type

Spindle and bushing variations

D mm	Available types				
	Plastic spindle	Metal spindle	Bush	A = mm	CZ = mm
4	F21, F22, F23, F25	M21, M22, M23, M25	KZ	M7 x 0.75	5-8-12
			KC	M10 x 0.75	8
6	F31, F32, F33, F34, F35 F1, F2, F3, F4, F5, F6, F10, F11, F12	M31, M32, M33, M34, M35 M1, M2, M3, M4, M10, M11, M12	KZ	M7 x 0.75	5-8-12
			KC	M10 x 0.75	8

Spindle and bushing details, chassis piercing: see p. 79 to 83. - Normalised spindles: see p. 84.

These potentiometers are also available with metal case and bush (die-cast) as types **CIP160ZC** and **P160ZC**; bush type CZ or ZKC. All spindle variations and optional features are possible.



CIP160KC



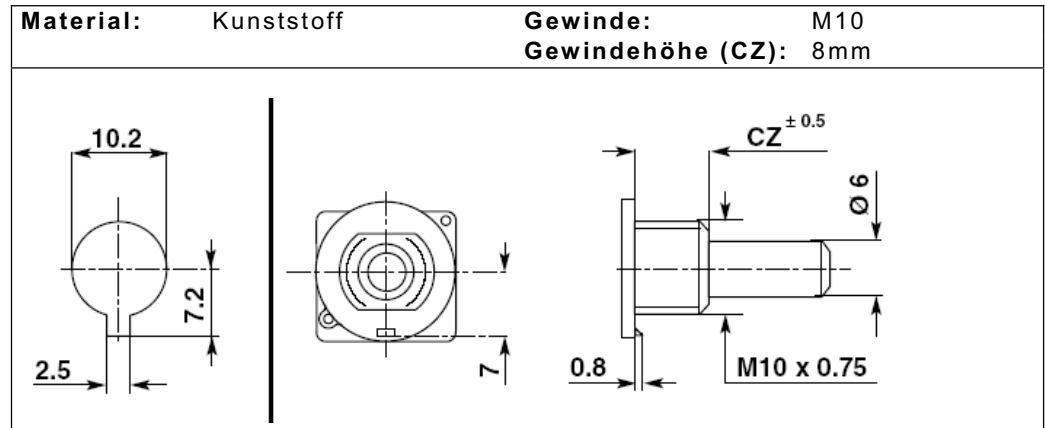
Carbon Rotary Potentiometers - 16 mm size

Singles Plastic Case

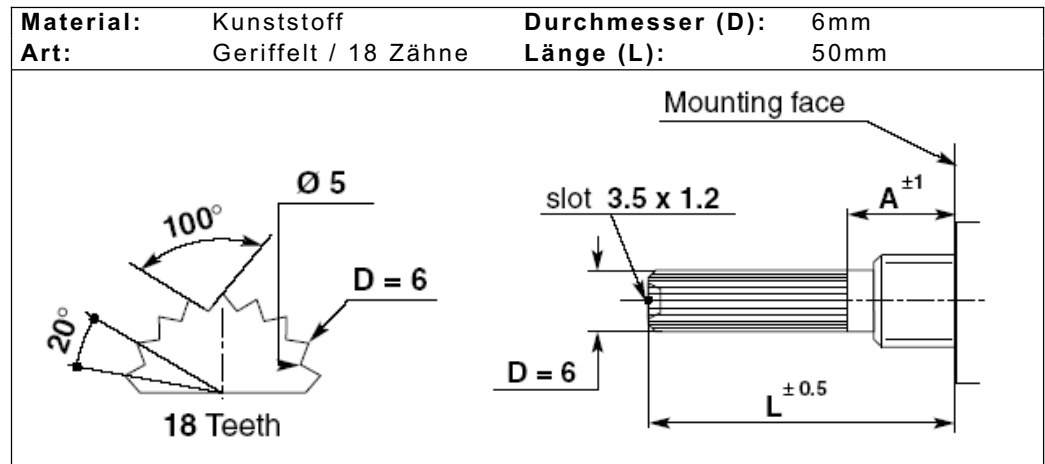
Types
CIP160KC
P160KC

Weltron Vorzugstype(n): CIP162KC ... KZ10x8 50F5
oder CIP162KC ... KZ10x8 50F1

Gewinde Type KZ



Achse Type 50F5



oder

Achse Type 50F1

