



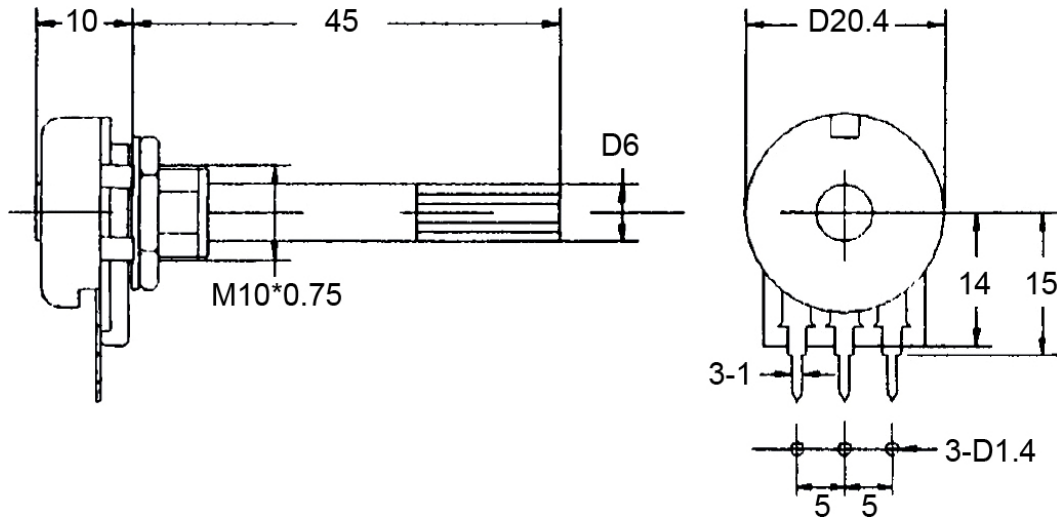
Y722 SERIES

## DATA SHEET OD POTENTIOMETER (MONO TYPE)

### RESISTANCE TOLERANCE

±20% for values 100Ω to 470kΩ

±30% for values 1MΩ to 10MΩ



### TECHINCAL DATA

Rated Power at 40°C	Lin 0.25W	Log	0.125W
Range of nominal resistance	Lin 100Ω ~ 10MΩ	Log	100Ω ~ 10MΩ
Max. Voltage	Lin 250V	Log	125V
Residual resistance	100Ω Max.		
Electrical angle	270° ±5°		
Mechanical angel	310° ±5°		
Torque	5mN.m ~ 25mN.m		
Temperature range	-25C ~ +70°C		
Rotation life	10000 cycles		

### STANDARD RESISTANCE TABLE

Y722 Lin		Y722 Log	
ART.2 / 1200	470Ω	ART.2 / 1305	1.0K
ART.2 / 1205	1.0K	ART.2 / 1310	2.0K
ART.2 / 1210	2.2K	ART.2 / 1315	4.7K
ART.2 / 1215	4.7K	ART.2 / 1320	10K
ART.2 / 1220	10K	ART.2 / 1325	22K
ART.2 / 1225	22K	ART.2 / 1330	47K
ART.2 / 1230	47K	ART.2 / 1335	100K
ART.2 / 1235	100K	ART.2 / 1340	220K
ART.2 / 1240	220K	ART.2 / 1345	470K
ART.2 / 1245	470K	ART.2 / 1350	1.0M
ART.2 / 1250	1.0M		
ART.2 / 1255	2.2M		
ART.2 / 1260	4.7M		