

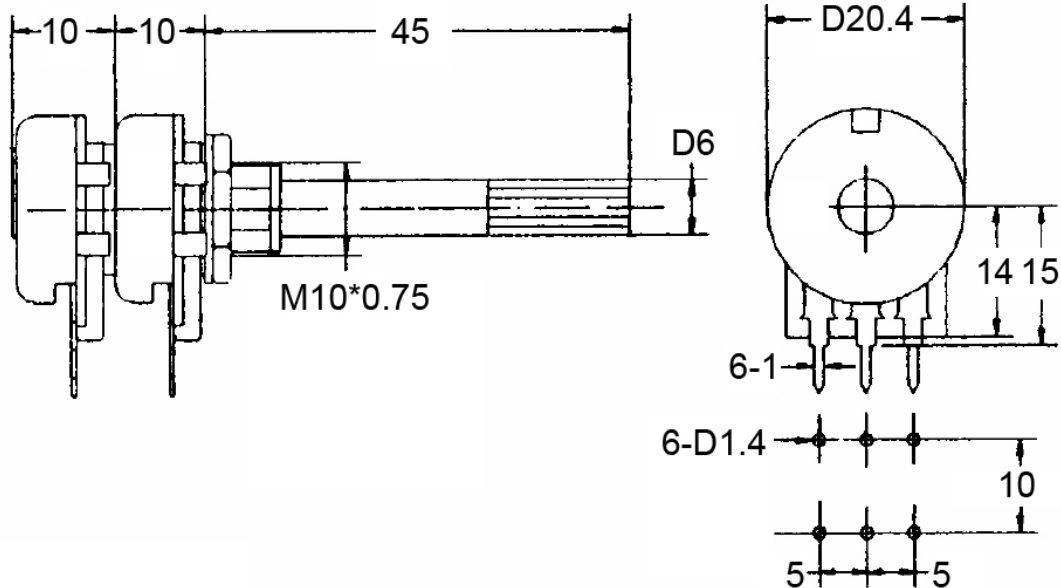


DATA SHEET OD POTENTIOMETER (STEREO TYPE)

RESISTANCE TOLERANCE

±20% for values 100Ω to 470kΩ

±30% for values 1MΩ to 10MΩ



TECHINCAL DATA

Rated Power at 40°C	Lin 0.25W	Log	0.125W
Range of nominal resistance	Lin 100Ω ~ 10MΩ	Log	100Ω ~ 10MΩ
Max. Voltage	Lin 250V	Log	125V
Residual resistance	100Ω Max.		
Electrical angle	270° ±5°		
Mechanical angel	310° ±5°		
Torque	5mN.m ~ 25mN.m		
Temperature range	-25C ~ +70°C		
Rotation life	10000 cycles		

STANDARD RESISTANCE TABLE

Y824 Lin		Y824 Log	
ART.2 / 2000	470Ω	ART.2 / 2105	1.0K
ART.2 / 2005	1.0K	ART.2 / 2110	2.0K
ART.2 / 2010	2.2K	ART.2 / 2115	4.7K
ART.2 / 2015	4.7K	ART.2 / 2120	10K
ART.2 / 2020	10K	ART.2 / 2125	22K
ART.2 / 2025	22K	ART.2 / 2130	47K
ART.2 / 2030	47K	ART.2 / 2135	100K
ART.2 / 2035	100K	ART.2 / 2140	220K
ART.2 / 2040	220K	ART.2 / 2145	470K
ART.2 / 2045	470K	ART.2 / 2150	1.0M
ART.2 / 2050	1.0M	ART.2 - 2155	2.2M
ART.2 / 2055	2.2M	ART.2 - 2160	4.7M
ART.2 / 2060	4.7M	ART.2 - 2165	10M
ART.2 / 2065	10M		