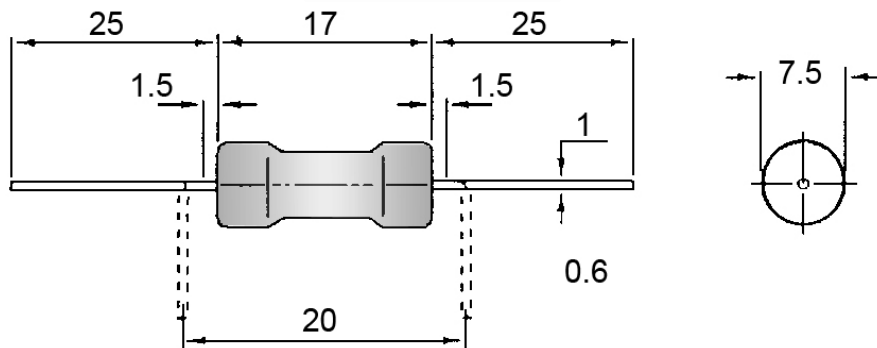


METAL FILM RESISTOR



ELECTRICAL SPECIFICATIONS

Test Items	Condition	Spec
Short Time Overload	2.5 times of RCWV for 5 secs.	
Load life	70°C at rated power 1.5hrs on; 0.5 hr off for 1000hrs	±(5%+0.05 Ω)
Dielectric Withstanding Voltage	Max Overload Voltage 1 Minute	±(0.5%+0.05 Ω)
Resistance Temp. Coeff.	-30°C ~ +155°C	±350 PPM/°C
Temp. Cycling	-30°C / +85°C for 5 cycles	±(1%+0.05 Ω)
Insulation Resistance	D.C. 500V	1000 MΩ
Moisture-proof Load Life	40°C 95% RH 1.5hrs on / 0.5hr off cycle for 1000 hrs.	±(5%+0.05 Ω)
Soldering Heat Resistance	350°C for 3.5 secs.	±(2%+0.05 Ω)

*RCWV" Rated Continuous Working Voltage

