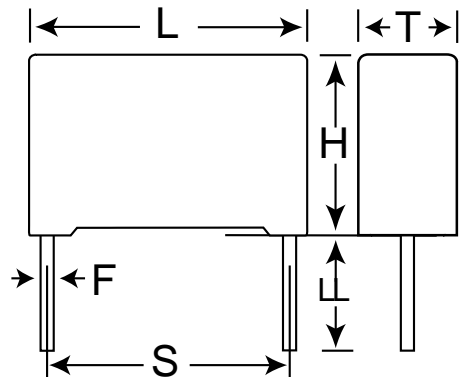


**KEMET Part Number: R75MI3330AA30K**  
(75MI3330AA30K)

Capacitor, film, 0.33 uF, +/-10% Tol, -55/+105C, Pulse, 400V@85C, Lead Spacing=15 mm



Dimensions (mm)		
Symbol	Dimension	Tolerance
L	18	+0.5
H	16	+0.1
T	10	+0.2
S	15	+/-0.4
LL	4	+2
F	0.8	+/-0.05

Notes:

-L,H,T are nominal dimensions and do not imply a minimum.

General Information	
Supplier:	KEMET
Miscellaneous Electrical:	Not for new design. Use F461BI334K400C (series F461)

Specifications	
Capacitance:	0.33 uF
Rated Temperature:	85C
Voltage @ rated temp:	400V
Voltage AC:	220VAC
Tolerance:	+/-10%
Body Type:	Radial Box
Dielectric:	Metallized Polypropylene
Application:	Pulse
Temperature Range:	-55/+105C
Dissipation Factor @ 1 kHz:	0.05%
Dissipation Factor @ 10 kHz:	0.08%
Insulation Resistance:	100 GOhm
Inductance:	10 nH
Maximum dVdT:	900v/us
Maximum K0:	240000V <sup>2</sup> /us

Packaging Specifications	
Package Kind:	Bulk
Package Type:	Bag
Package Quantity:	750