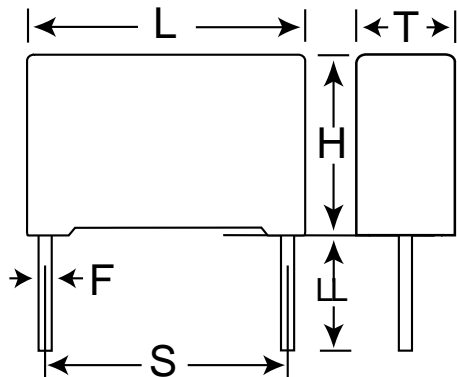


KEMET Part Number: R75MN4100AA30K
(75MN4100AA30K)

Capacitor, film, 1 uF, +/-10% Tol, -55/+105C, Pulse, 400V@85C, Lead Spacing=22.5 mm



Dimensions (mm)		
Symbol	Dimension	Tolerance
L	26.5	+0.3
H	20	+0.1
T	11	+0.2
S	22.5	+/-0.4
LL	4	+2
F	0.8	+/-0.05

Notes:

-L,H,T are nominal dimensions and do not imply a minimum.

General Information

Supplier:	KEMET
Miscellaneous Electrical:	Not for new design. Use F461DP105K400C (series F461)

Specifications

Capacitance:	1 uF
Rated Temperature:	85C
Voltage @ rated temp:	400V
Voltage AC:	220VAC
Tolerance:	+/-10%
Body Type:	Radial Box
Dielectric:	Metallized Polypropylene
Application:	Pulse
Temperature Range:	-55/+105C
Dissipation Factor @ 1 kHz:	0.05%
Dissipation Factor @ 10 kHz:	0.08%
Insulation Resistance:	30 GOhm
Inductance:	18 nH
Maximum dVdT:	300v/us
Maximum K0:	144000V ² /us

Packaging Specifications

Package Kind:	Bulk
Package Type:	Bag
Package Quantity:	360