

HITPOINT

TEL:8862-26013311

FAX:8862-26013898

NO.4 Lane 505, Zhongzheng Rd., Linkou Shiang, Taipei, Taiwan 24445 . R.O.C

PK-21N30WQ

(RoHS)

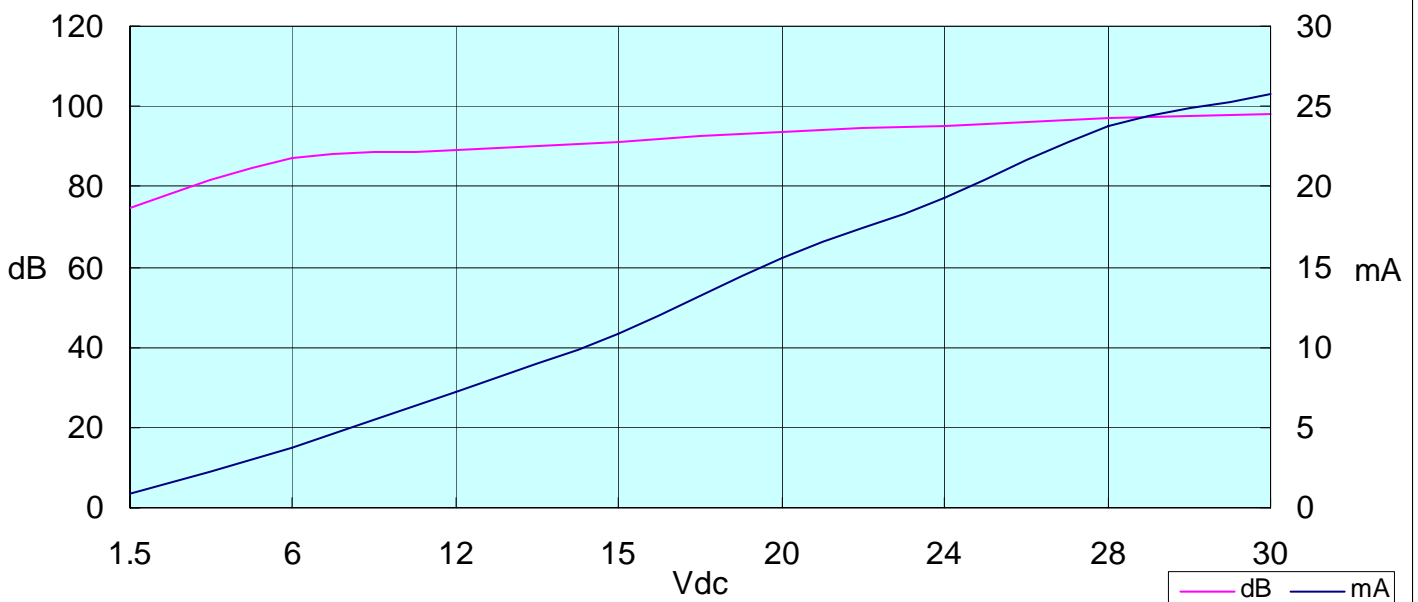
DATE:2005.01.10

1 . Electrical Characteristics

VER :.0

Oscillation Frequency (KHz)	3.0 ±0.5
Operating Voltage (Vdc)	1.5 ~ 30
Rated Voltage (Vdc)	12
Current Consumption (mA/max.)	12 at Rated Voltage
Sound Pressure Level (dB/min.)	80 at 30cm at Rated Voltage
Tone/Pulse Rate	Constant
Operating Temperature (°C)	-20 ~ +70
Storage Temperature (°C)	-30 ~ +80
Manual soldering conditions	350±20°C / within 5sec

2 . Voltage/ Current / Sound Pressure





HITPOINT

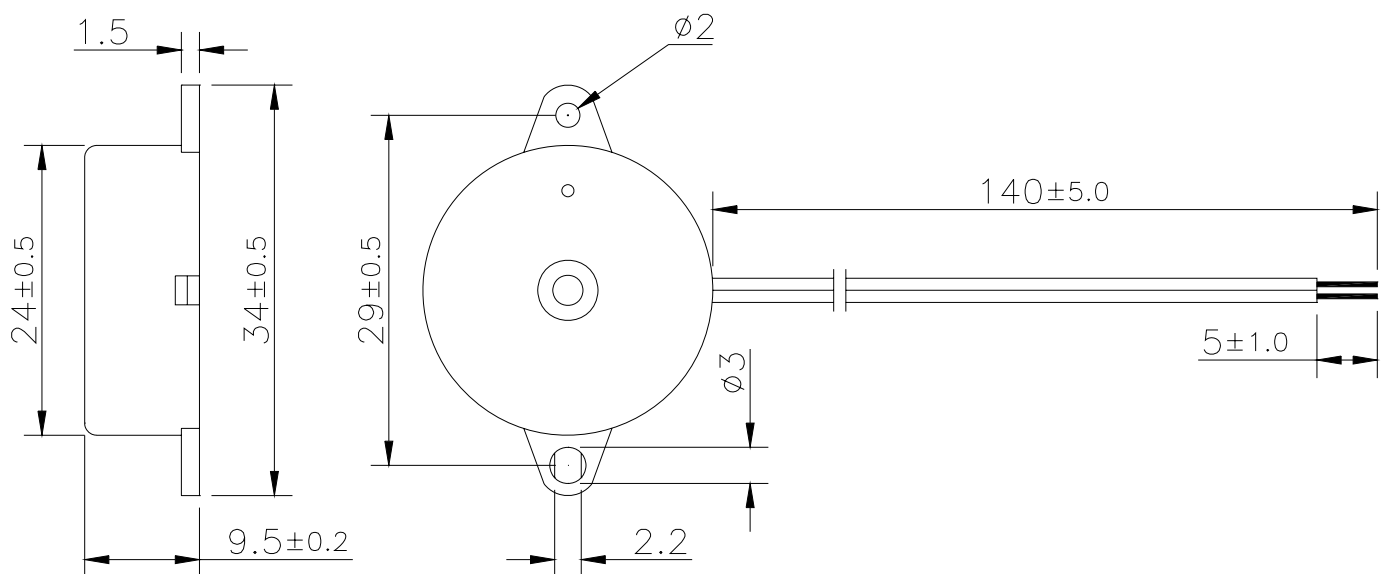
TEL:8862-26013311

FAX:8862-26013898

NO.4 Lane 505, Zhongzheng Rd., Linkou Shiang, Taipei, Taiwan 24445 . R.O.C

3 . Dimensions and Material

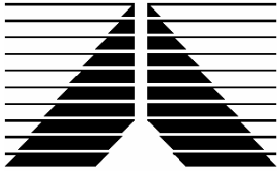
3-1 Shape



Unit : mm

3-2 Material

Housing	ABS 777D UL94HB plastic resin (Color : Black)
Leading Wire	28 AWG
Weight (Gram)	3.2



HITPOINT

TEL:8862-26013311

FAX:8862-26013898

NO.4 Lane 505, Zhongzheng Rd., Linkou Shiang, Taipei, Taiwan 24445 . R.O.C

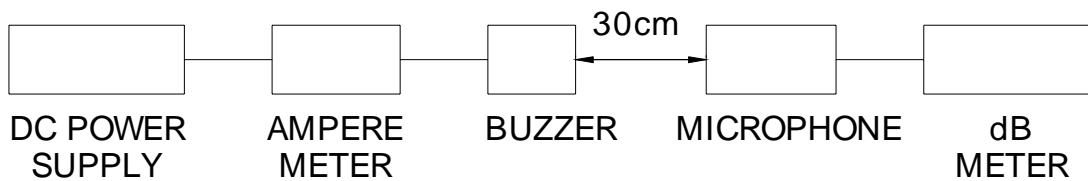
4. TESTING METHOD

• *Standard Measurement conditions*

Temperature:25±2°C Humidity:45-60%

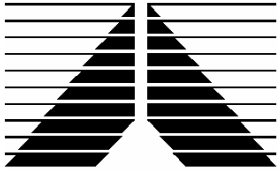
• *Acoustic Characteristics*

The oscillation frequency, current consumption and sound pressure are measured by the measuring instruments shown below.



In the measuring test, buzzer is placed as follows:





HITPOINT

TEL:8862-26013311

FAX:8862-26013898

NO.4 Lane 505, Zhongzheng Rd., Linkou Shiang, Taipei, Taiwan 24445 . R.O.C

5. RELIABILITY

ITEMS	METHOD OF TEST AND MEASUREMENTS	PERFORMANCE
Coldness withstanding	After 98 hours of being exposed to -30℃ environment, should be returned to normal environment for 2 hours, then re-proceed to test.	No abnormality shall exist
Hotness withstanding	After 98 hours of being exposed to +80℃ environment, should be returned to normal environment for 2 hours, then re-proceed to test.	No abnormality shall exist
Humidity withstanding	After 98 hours of being exposed to 40℃ 95%RH environment in actual operation, should be returned to normal environment for 2 hours, then re-proceed to test.	No abnormality shall exist
Durability	Testing after 1,000 hours actual continuous operation.(at standard measurement conditions)	No abnormality shall exist
Drop withstanding	A natural drop from 75cm high down to the ground.	No abnormality shall exist
Vibration withstanding	Vibration of 2,000 cycles per minute, 2mm amplitude, applied in X, Y and Z directions for 30 minutes each.	No abnormality shall exist

6. PACKAGE METHOD

<1> 200pcs per box , Total 10boxes per carton , total 2000pcs carton;
Volume: L*W*H=510*330*300mm

< 2 > RoHS Mark



