

1/2 Disc, Automatic Reset type thermostat

# US-622



Specification	
<b>Electrical rating</b>	1) 125 VAC, 15A max., resistive load 250 VAC, 10A max., resistive load 100,000 times or more
<b>Switching durability</b>	2) 250 VAC, 16A max., resistive load 30,000 times or more 3) 250 VAC, 6(6)A Cos φ 0.6, Inductive load 10,000 times
<b>Operating temp range</b>	10 to 185°C (50 Degrees F to 365 Degrees F)
<b>Differential</b>	10 to 25K (50 Degrees F to 77 Degrees F)
<b>PTI</b>	250V
<b>Temp tolerance</b>	150°C or less; Operating temp. ±4°C/Returning temp. ±7°C 151°C or more; Operating temp. ±5°C/Returning temp. ±8°C
<b>Circuit resistance (initial value)</b>	50 mΩ or less
<b>Insulation resistance</b>	100 MΩ or more (with a 500 VDC megger)
<b>Dielectric strength</b>	1,500 V/1 minute
<b>The maximum override temperature</b>	235°C (455 Degrees F)

\* The differential varies slightly with the operating temperature.  
\* Please contact the Overseas Sec for the details since the types and specifications of the approved models are slightly different from those shown above.



1/2 Disc, Automatic Reset type thermostat

## Model Code

US-622

- LS: Stainless steel, Stationart surface bracket
- FF: Stainless steel, Movable surface bracket
- QE: Aluminum, Movable surface bracket
- QL: Aluminum, Movable surface bracket
- QM: Aluminum, Movable surface bracket
- QN: Aluminum, Movable surface bracket
- QD: Aluminum, Movable surface bracket
- FO: Stainless steel, No bracket
- RO: Stainless steel, No bracket, 20 φ round flange
- QO: Aluminum, No bracket
- DO: Aluminum, No bracket, Exposed type
- NO: Aluminum, No bracket, 20 φ round flange
- IO: Stainless steel, Air stream bracket (Depth/4.6mm)
- CO: Stainless steel, Air stream bracket (Depth/4.2mm), Exposed type
- JO: Stainless steel, Air stream bracket (Depth/5.2mm)
- KO: Aluminum, Air stream bracket (Depth/4.8mm)
- GO: Aluminum, Air stream bracket (Depth/5.4mm)
- SO: Stud mounting  
[6-32UNE/8-32UNC/10-32UNF/M3×0.5/M4×0.7/M5×0.8]

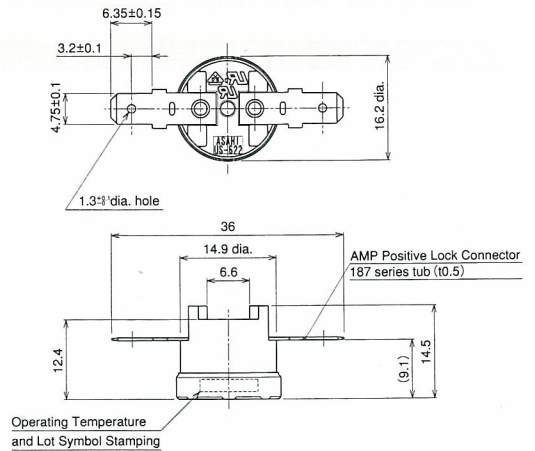
- L: Equivalent to Positive Lock Connector 250 series
- M: Equivalent to Positive Lock Connector 187 series (t0.5)
- S: For soldering
- V: Equivalent to IEC 730-1 (size:4.8)
- D: Equivalent to DIN46244 (Brass/size:4.8)
- J: Equivalent to DIN46244 (Steel/size:6.3)

- R: Horizontal (See the figure shown to the follows)
- T: Vertical (See the figure shown to the follows)

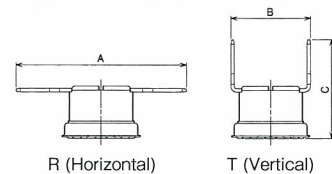
- X: Open on temperature rise
- Y: Close on temperature rise

- A: Ag contact/Standard case
- P: Ag contact/4 post case
- K: Au cross bar contact/Standard case

## Dimensional drawings



## Terminal type and angle



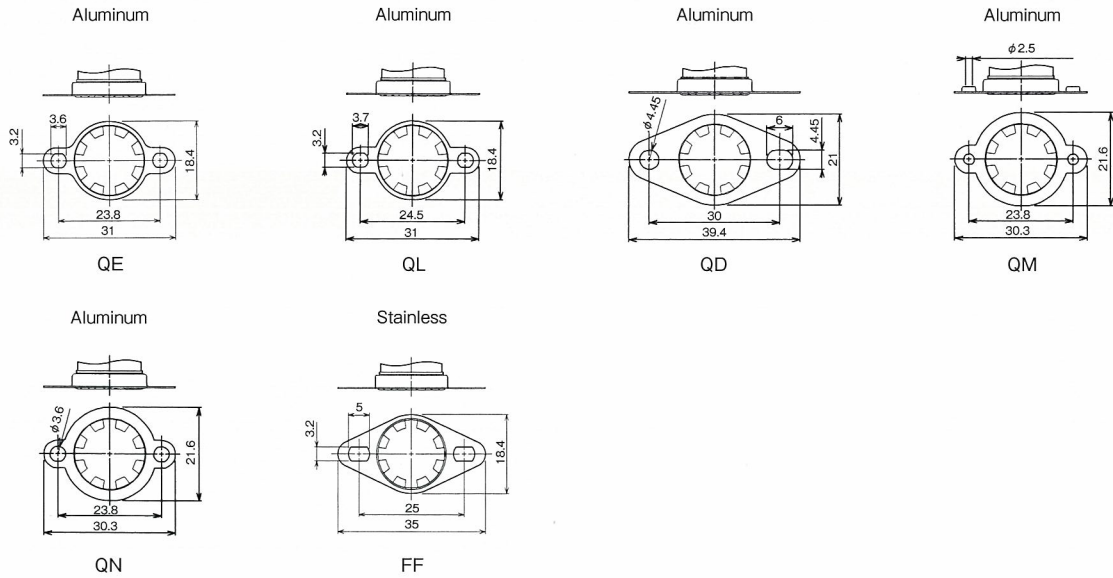
Terminal type	A	B	C
L	40.0	19.0	23.5
M	36.0	18.0	21.0
S	23.0	15.5	15.5
V	36.5	19.0	21.5

[Unit : mm]

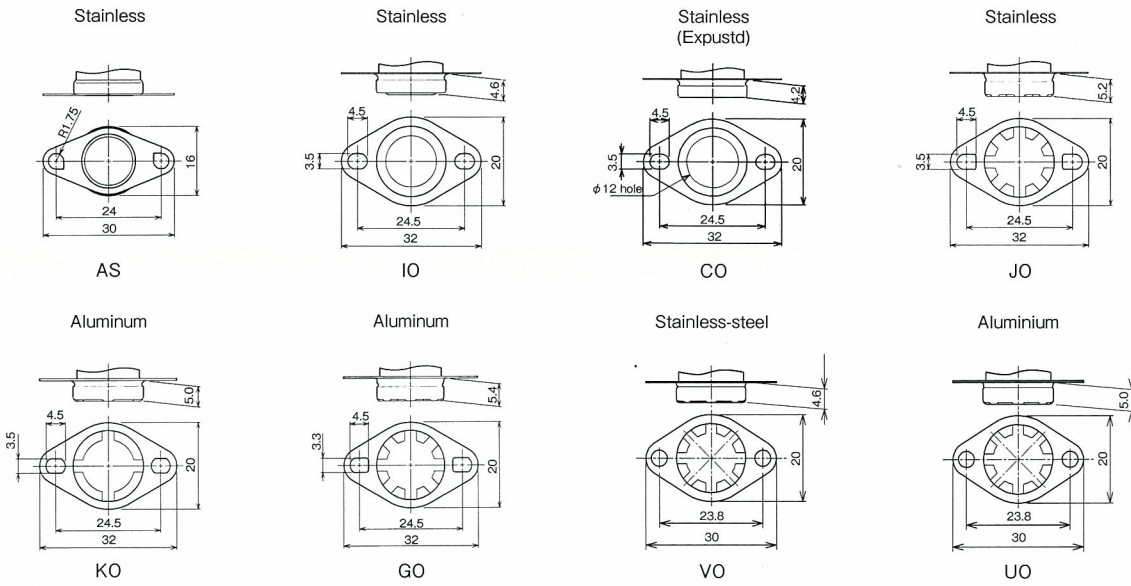
\*Above dimention is applied for US-622A and K

## Holder model

### Movable bracket



### Fixed bracket (FIXED)



### No bracket

