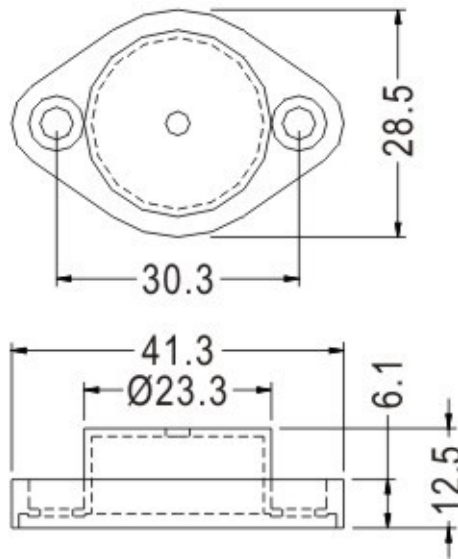


# FIX-TRC



- ◆ MATERIAL: NYLON 66(UL)
- ◆ FLAME CLASS: 94V-2
- ◆ COLOR: NATURAL
- ◆ UNIT: mm
- ◆ APPLICATION: TO3



<b>PART NO</b>
FIX-TRC-1

