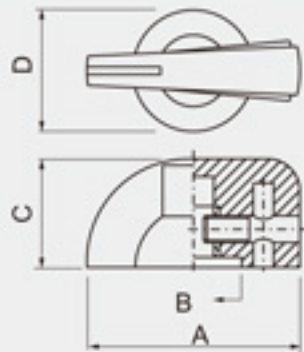


PN-1



A	B	C	D	SHAFT HOLE	
33.4	Ø15.2	17.0	Ø19.0	Ø6.4	Ø6.1

FEATURES:

- Material: Phenolic.
- With white indicator line.
- Set screw on one side.