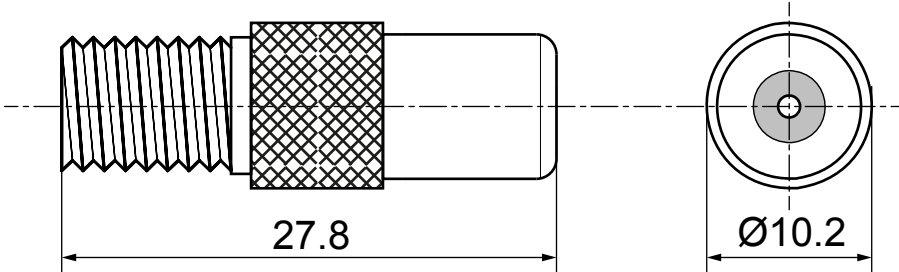
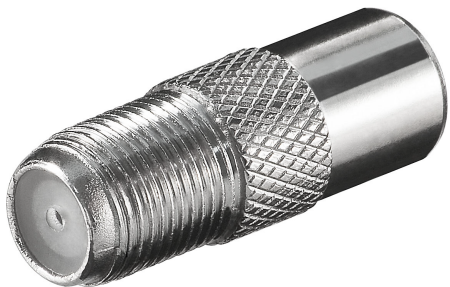


	1	2	3	4	5	6	7	8	9	10	11	12	13	14	
A															A
B															B
C															C
D															D
E															E
F															F
G															G
H															H
I															I
J															J





<p>F/COAX Verbinder</p> <ul style="list-style-type: none"> - Anschlüsse: F-Kupplung > IEC Stecker - Bauart: gerade - Material: Messing - Frequenzbereich: 0-2.400MHz - Impedanz: 75Ohm - Gewicht: 5,5g - RoHS-konform 	<p>F/COAX connector</p> <ul style="list-style-type: none"> - Connectors: F jack > IEC plug - Construction: straight - Material: Brass - Frequency range: 0-2,400MHz - Impedance: 75Ohm - Weight: 5.5g - RoHS compliant
--	---