

1

2

3

4

5

6

7

A

A

B

B

C

C

D

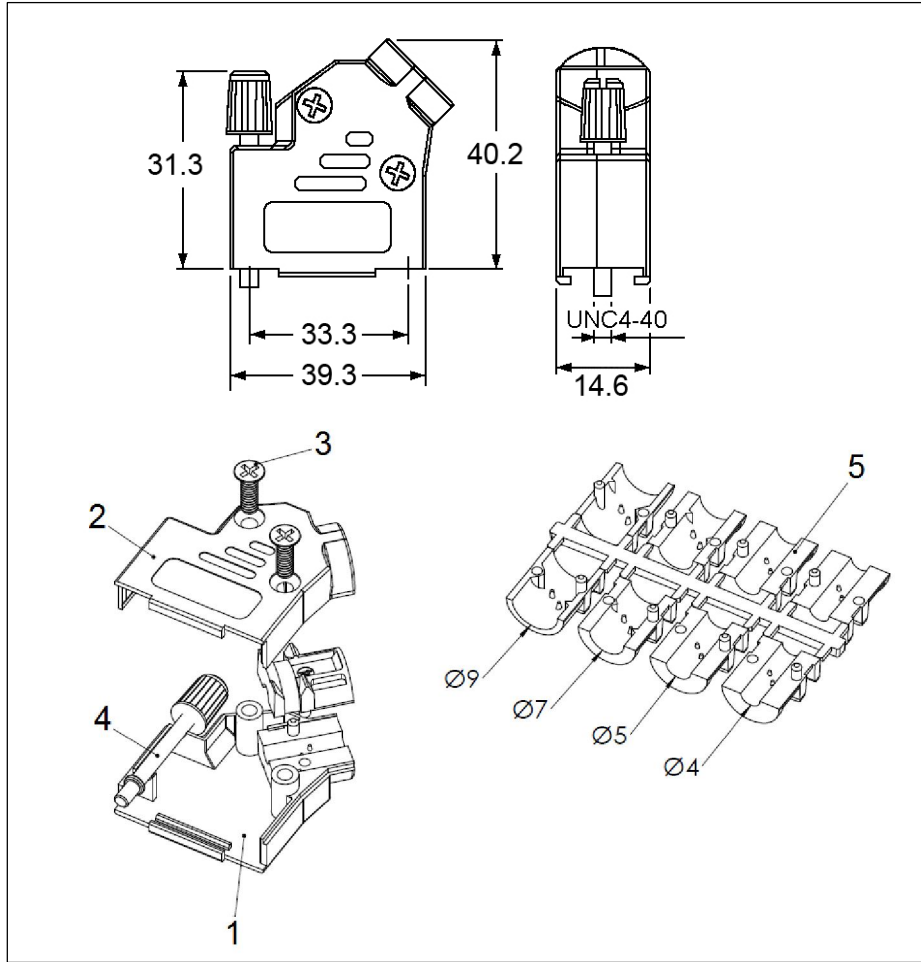
D

E

E

F

F



Order Code
AMET - 15 - RS - 45

1 No. of contacts
09,15,25,37

Black anodized version on request
09-poles only with one knurledge screw available

Delivery includes
2 half-sheets
2 knurledge screws
2 screws
8 half shells of strain relief

SPECIFICATION MATERIAL Features

Material and finish
Zinc-die-cast,nickel plated

Temperature range
-40° to +120°

Cable diameter
4.0-13.0mm

Attenuation factor
>40 dB between
30Mhz and 1Ghz

Requirements
VDE 0871,FCC 20780,
89/336/EU

ITEM NO.	DESCRIPTION
1	Cover bottom
2	Cover top
3	Jack screws
4	Screws
5	Strain relief

RoHS compliant
Unit: mm

Scale	Free					Date	Name	Customer-No.
TOLERANCE		⑤	Change of Design	05.03.2014	A. Plate	Drawn	02.07.2007	Hellwig
X.		④	Add sheet 2	13.02.2012	Lucas	Approved	13.02.2012	Hellwig
X.X		③	Change dimension	28.03.2011	Rale			
X.XX		②	Redrawn	28.06.2010	Dean			
DIM	TOL	①	Drawn	02.07.2007	Hellwig			
X.°								
X.X°								
Angle	TOL	Id.	Modification	Date	Name			

ASSMANN WSW-No.
AMET-15-RS-45

Drawing-No.
ASS 0411A CO rev05

Replace Sheet 1/2

1

2

3

4

5

6

7

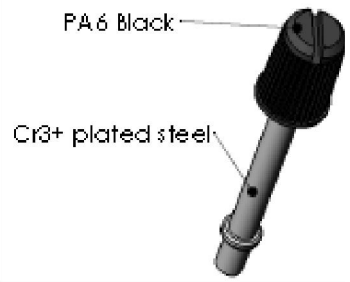
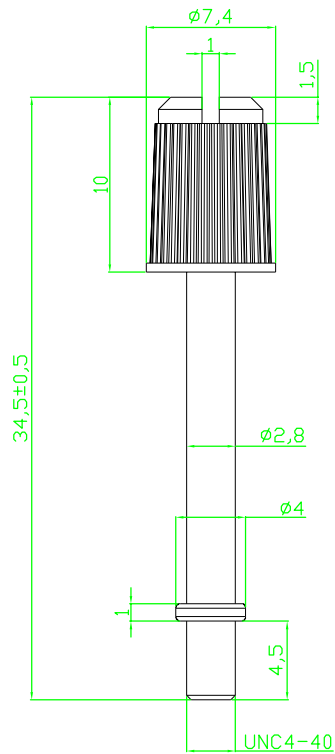
G

G

H

H

	1	2	3	4	5	6	7									
A									A							
B																B
C																C
D																D
E																E
F																F
G	<p>RoHS compliant</p> <p>Unit: mm</p>								G							
H																
	1	2	3	4	5	6	7									



General Tolerances: ISO2768-m

Scale	Free					Date	Name	Customer-No.
TOLERANCE		⑤	Change of Design	05.03.2014	A. Plate	Drawn	02.07.2007	Hellwig
X.		④	Add sheet 2	13.02.2012	Lucas	Approved	13.02.2012	Hellwig
X.XX		③	Change dimension	28.03.2011	Rale			
DIM	TOL	②	Redrawn	28.06.2010	Dean	Drawing-No. ASS 0411A CO rev05		
X.°		①	Drawn	02.07.2007	Hellwig			
Angle	TOL	Id.	Modification	Date	Name	Replace	Sheet 2/2	

ASSMANN WSW-No.
AMET-15-RS-45