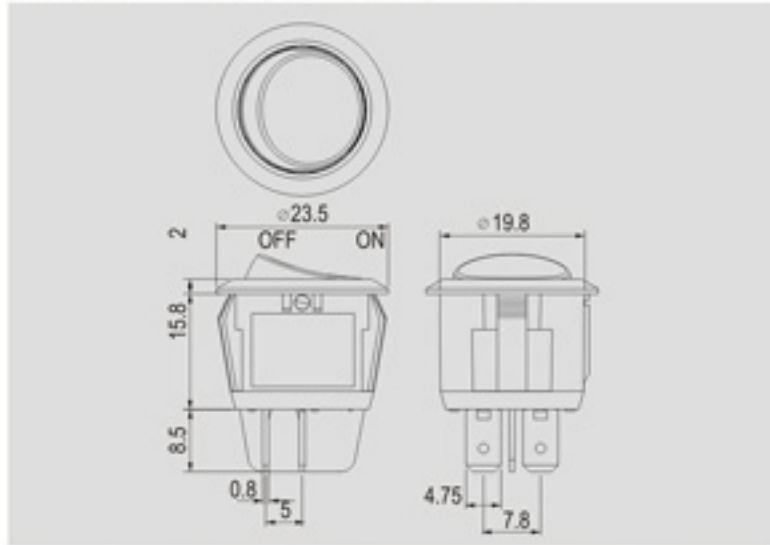


R13-244

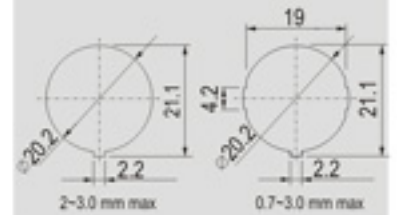
Double Poles Of R13-112



Rating	16A 125V AC/10A 250V AC 10(4)A 250V AC
Contact resistance	50mΩ Max
Insulation resistance	DC 500V 100MΩ Min
Dielectric strength	AC 1500V 1 minute
Cut-out	

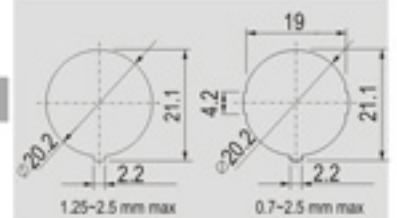
FEATURES

- * MATERIAL: Frames are nylon (UL flame: 94V-2). Terminals are silver plated brass.
- * Illuminated actuators are molded in PC, available with red, amber and green colors.
- * Snap-in mounting, easy to install switch into panel.
- * Waterproof cover is optional.



0.7~3.0 mm max

Cut-out for X8 ROCKER



0.7~2.5 mm max

Ordering number instruction

R13-244 -

FUNCTION	TERMINAL
Different position / Illuminated button (動作特性不同/帶燈)	0 2 .187" SQ

