



INFRARED PRODUCTS

(Infrared Emitting Diode)

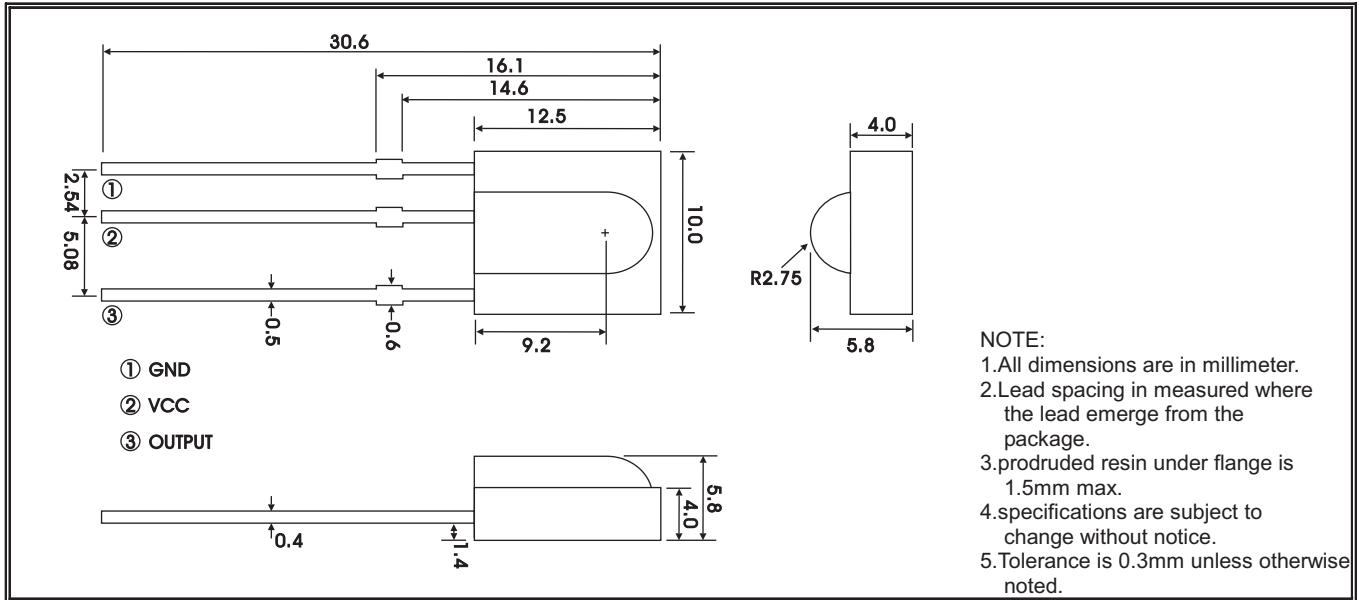
REV:C
DATE:2009/9/21

DEVICE NO:IR5040

LENS COLOR:

| | | |
|---------------------|---|-------------|
| colored transparent | √ | water clear |
|---------------------|---|-------------|

PACKAGE DIMENSIONS:



ABSOLUTE MAXIMUM RATINGS:

TA=25°C

| PARAMETER | SYMBOL | MAX. RATING | UNIT |
|-----------------------|--------|-------------|------|
| Supply Voltage | Vcc | 2.7 ~ 5.0 | V |
| Operating Temperature | Topr | -40 ~ +85 | °C |
| Storage Temperature | Tstg | -40 ~ +85 | °C |

Dip Soldering Temperature (4mm from case Bottom 260 °C for 5 seconds)

ELECTRIC-OPTICAL CHARACTERISTICS:

TA=25°C

| PARAMETER | SYMBOL | TEST CONDITION | MIN | TYP | MAX | UNIT |
|---------------------------|--------|--------------------------|-----|-----|-----|------|
| Supply Voltage | Vcc | DC voltage | 2.7 | - | 5.0 | V |
| Supply Current | Icc | No signal input | | | 1.5 | mA |
| Reception Distance | L | At the ray axis | 12 | | | m |
| | | In the range of 45° cone | 6 | | | |
| B.P.F Center Frequency | fo | | | 38 | | kHz |
| Peak Wavelength | λp | | | 940 | | nm |
| Half angle | θ | | | 45 | | deg |
| High Level Pulse Width | TH | | 400 | | 800 | μs |
| Low Level Pulse Width | TL | | 400 | | 800 | μs |
| High Level Output Voltage | VH | 10cm over the ray axis | 4.5 | | | V |
| Low Level Output Voltage | VL | 10cm over the ray axis | | | 0.5 | V |

HUEY JANN ELECTRONICS INDUSTRY CO., LTD.