



INFRARED PRODUCTS

(Infrared Emitting Diode)

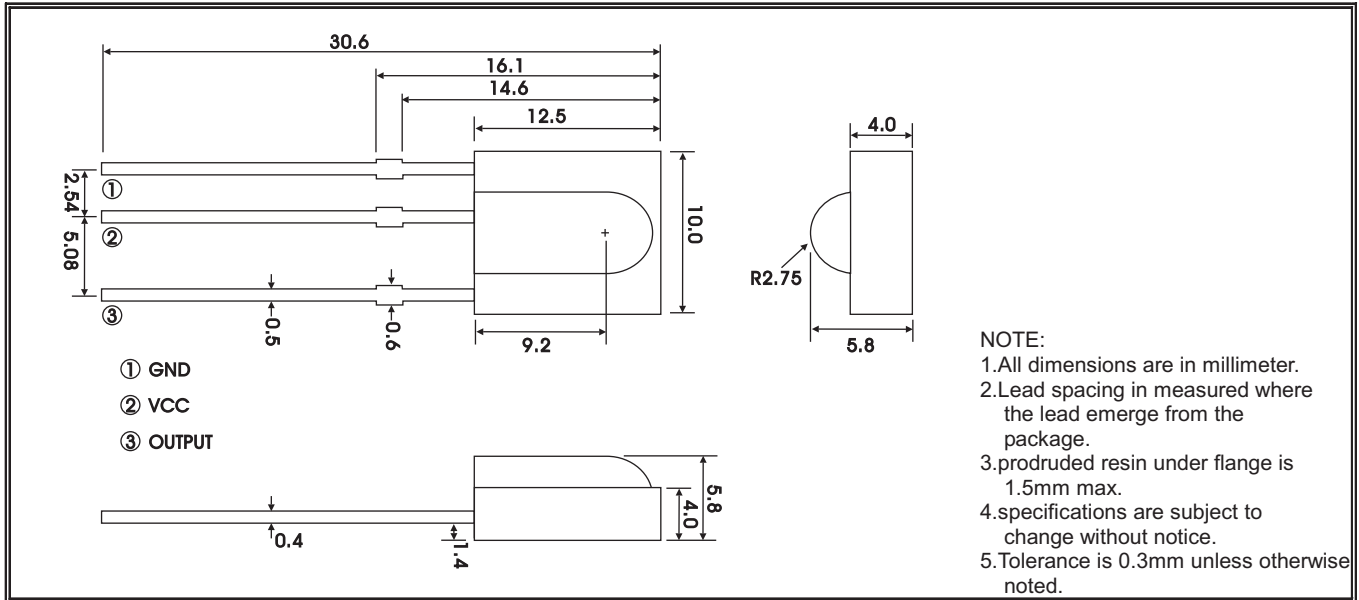
REV:D
DATE:2009/9/21

☰ DEVICE NO:IR5440

☰ LENS COLOR:

colored transparent	√	water clear
---------------------	---	-------------

☰ PACKAGE DIMENSIONS:



☰ ABSOLUTE MAXIMUM RATINGS:

TA=25°C

PARAMETER	SYMBOL	MAX. RATING	UNIT
Supply Voltage	Vcc	2.7 ~ 5.0	V
Operating Temperature	Topr	-40 ~ +85	°C
Storage Temperature	Tstg	-40 ~ +85	°C

Dip Soldering Temperature (3mm from case Bottom 260 °C for 5 seconds)

☰ ELECTRIC-OPTICAL CHARACTERISTICS:

TA=25°C

PARAMETER	SYMBOL	TEST CONDITION	MIN	TYP	MAX	UNIT
Supply Voltage	Vcc	DC voltage	2.7	-	5.0	V
Supply Current	Icc	No signal input			1.5	mA
Reception Distance	L	At the ray axis	12			m
		In the range of 45° cone	6			
B.P.F Center Frequency	fo			36.7		kHz
Peak Wavelength	λp			940		nm
Half angle	θ			45		deg
High Level Pulse Width	TH		400		800	μs
Low Level Pulse Width	TL		400		800	μs
High Level Output Voltage	VH	10cm over the ray axis	4.5			V
Low Level Output Voltage	VL	10cm over the ray axis			0.5	V

HUEY JANN ELECTRONICS INDUSTRY CO., LTD.