

SPECIFICATION

MATERIAL

Insulator: Thermal Plastic UL94V-0

Contacts: Copper Alloy

Mount Ear: Copper Alloy

CONTACT PLATING

Underplate: 50u"~100u" Nickel

Contact Area: 3u"and 15u" Selective Gold

Solder Tails Area: 100u"~200u" Tin/Lead Free  
(Brighten Tin/Matte Tin)

101B-I X A 0-R  
1 2 3 4

1.Type

T:TOP Mount

3.Stand Off

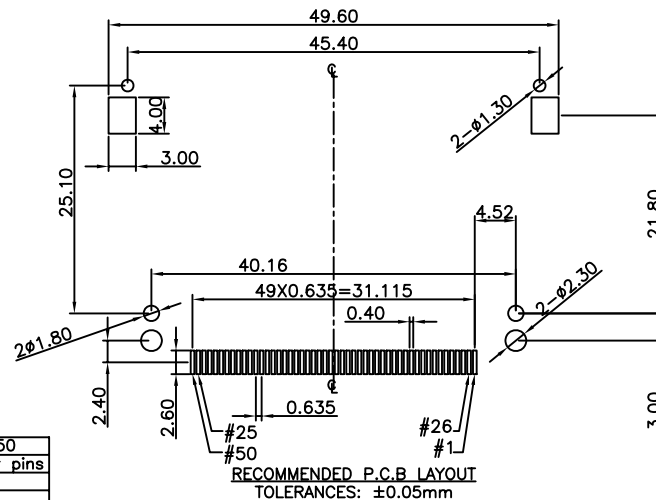
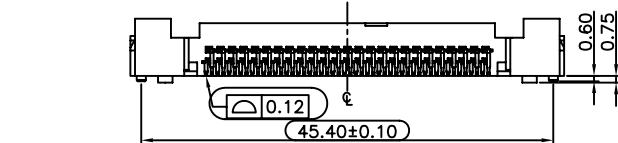
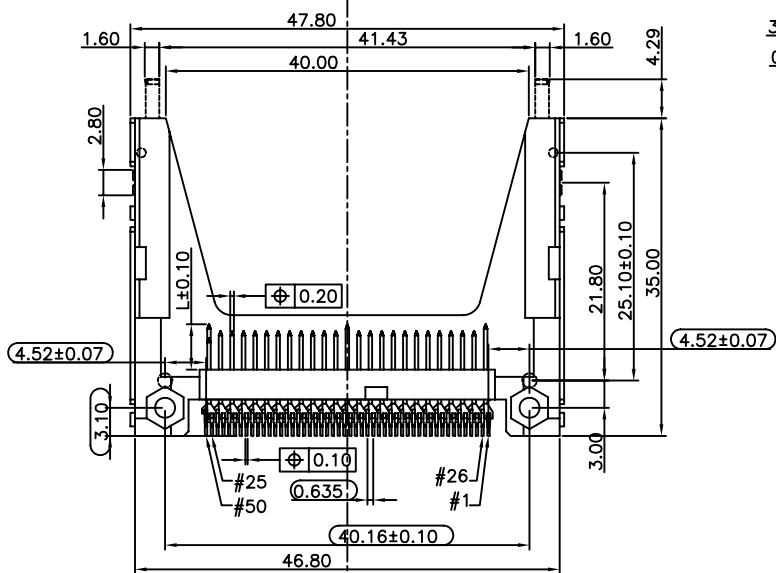
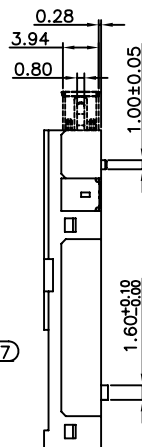
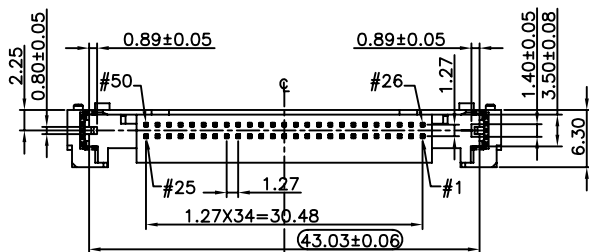
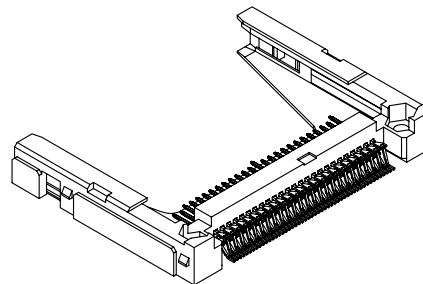
A:0mm

2.Contact Plating

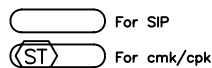
A:15u"Gold Plating

B:3u" Gold Plating

4.ROHS



POWER	5.00mm	1,13,38,50
GENERAL	4.25mm	all other pins
DETECT	3.50mm	25,26
Pin type	Interface Dim. L	Pin No.



UNLESS OTHERWISE SPECIFIED TOLERANCE	
ANG.	±5°
0.	±
.0	±0.25
.00	±0.20
SCALE: AS SHOWN	UNIT: mm
DRAWN Willis	2006/12/25
CHECKED / /	
APPROVED / /	
SIZE A4	REV.



ATTEND TECHNOLOGY INC.

www.attend.com.tw

DRAWN NAME: CF Type I/II Socket  
Top Mount,S/O=0

PRODUCT NO. 101B-TXA0-R

FILE NAME: 101B-TXA0-R

REV.	DESCRIPTION	DATE	SIZE	REV.
1			A4	