

- 1.Material:
 Insulator: LCP+30% G.F., UL 94V-0 Rated Color:Black
 Contact: Phosphor Bronze , 0.25t
- 2.Plating:
 Contact Area:Gold plating over 50u"Nickel underplating.
 Soldering Zone: 100%TIN over 50u" min. Ni underplate overall.
 Au Contact Area:10u" Gold Plating.
- 3.Inspection Dimension: ■ Critical
- Note:4.This soldering pad is optional and shall be grounding.
- 5.Insertion Force:15N max
 Extraction Force:0.15N min
 Card Retention Force: 688g max. Avrg: 543g.
- ▲6.Operating temperature -40~+85 °C
 Storage temperature -40 ~+85 °C

PRODUCT NUMBER:
104G-I ▲▲ 0-R-R
 1 2 3 4 5

1.Type
 T:Top Mount

2.Contact Plating
 A:10u"Gold

3.Stand Off
 A:0mm

4.R= RoHS

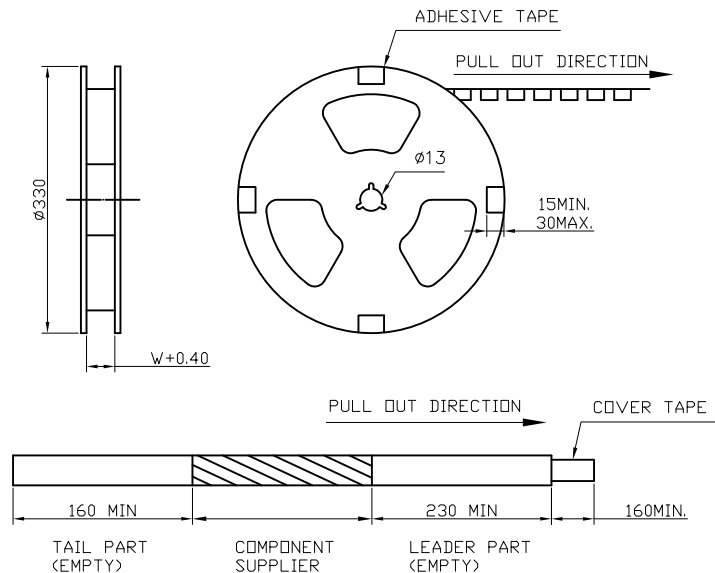
5.Packaging
 R= Reel

PIN NO.	PIN ASSIGNMENT
1	DAT3/CS/CD
2	CMD
3	VSS1
4	VDD
5	CLK
6	VSS2
7	DAT0
8	DAT1
9	DAT2

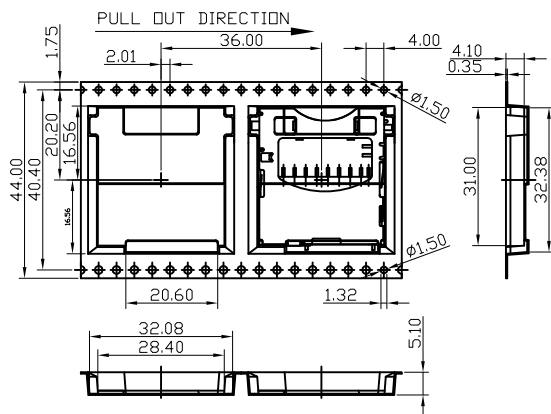
▲Datecode
 6 35 4
 YEAR | DAY (1~7)
 WEEK (1~52)

A	▲	Revise: Shell dimensions, add datecode	2016/08/30				UNLESS OTHERWISE SPECIFIED TOLERANCE		 www.attend.com.tw DRAWN NAME: SD Socket Top Mount, Push-Push Type With Card Lock Function PRODUCT NO. 104G-TAA0-R-R FILE NAME 104G-TAA0-R-R_B_7
	▲	Revise: Shell dimensions	2014/09/18				ANGLES	ANG. ±5°	
	▲	Revise: ATTEND logo	2013/07/02				LINEAR	0.0 ±0.3	
	▲	Revise: Temperature specifications	2013/05/02					0.0 ±0.25	
	▲	Revise: Brand identity	2012/08/03				SCALE	AS SHOWN UNIT: mm	
	▲	Revise: Pin Assignment	2010/01/19				DRAWN	Fros 2016/08/30	
	▲	Revise: Drawing release	2009/12/29			CHECKED	Tim 2016/08/30		
						APPROVED	Ken 2016/08/30		
REV.	DESCRIPTION	DATE	REV.	DESCRIPTION	DATE	SIZE	A4	REV. 1.0	
1			4						

REEL DIMENSIONS



EMBOSSED CARRIER TAPE DIMENSIONS



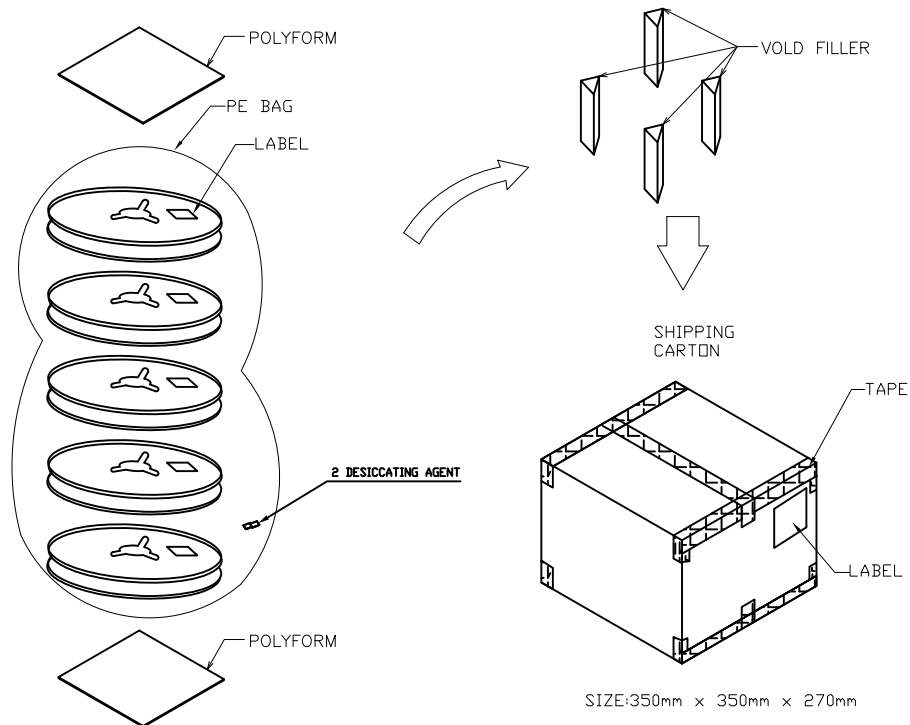
PACKAGING SPECIFICATION:

1. MATERIAL

- 1.1 Embossed Carrier Tape: PS
- 1.2 Top Cover Tape: PE
- 1.3 Taping Reel: PS

2. PACKING

- 2.1 Quantity:
1500Piece / 5Reel / 1Carton



UNLESS OTHERWISE SPECIFIED TOLERANCE		
ANGLES	ANG.	±5°
	0.	±0.3
LINEAR	0.0	±0.25
	0.00	±0.20
SCALE	AS SHOWN	UNIT: mm
DRAWN	Willis	2011/10/26
CHECKED	Angel	2011/10/26
APPROVED	Ken	2011/10/26



3	Revise:								
2	Revise:								
1	Revise:								
REV.	DESCRIPTION	DATE	REV.	DESCRIPTION	DATE	SIZE	A4	REV.	1.0

DRAWN NAME:	SD Socket Top Mount, Push-Push Type With Card Lock Function
PRODUCT NO.	104G-TXA0-R-R
FILE NAME	104G-TXA0-R-R_D_1