

HDRT8 Time Relay

Standard:IEC 60947-5

Function

HDRT8 Time Relay provide:

- Disconnect Delay
- Connect Delay

Order Information



Limit delay time	Delay type	Reference
10s	power delay	HDRT810B
120s	power delay	HDRT8120B
480s	power delay	HDRT8480B
480s	off delay	HDRT8480A

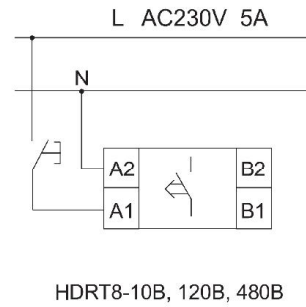
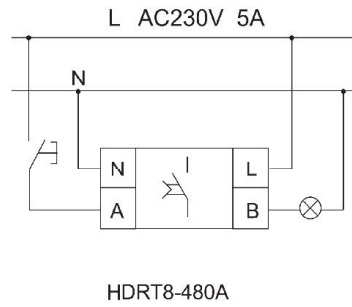
Technical Data

Building Control Command Devices	HDRT8 Time Relay
Standard	IEC 60947-5
Rated Voltage Ue	230V AC
Rated Current(Ie)	5A
Delay Type	Off delay Power delay
Limit Delay Time	10s 120s 480s
Conventional Thermal Current(I th)	8A
Timing Range	0.1-10s(≤10s) 10-120s(≤120s) 30-480s(≤480s)
Contact Type	Normally open contact
Contact Number	1
Rated Control Supply Voltage(Us)	230V AC
Operating Voltage Range	85%-110%Us
Electrical Durability	30000 times
Rated Wattage	<1W
Insulation Resistance	>1.5MΩ
Insulation Strength	To each:AC 1760V 5s Disconnect between the contact position:AC 1000V 1min
Connection	up to 1mm ² cables

HDRT8 Time Relay

Standard: IEC 60947-5

Wiring Diagram



Final Distribution

Overall Dimensions

