

REV.	DESCRIPTION	DRAWN	CHECKED	APPROVED
A	NEW RELEASE	LJH 04/27/05'	~	LJC 04/27/05'
B	ADD DIM TYPE	YCH 07/04/07'	~	LJC 07/04/07'
C	ADD P/N CODE	LJC 12/09/13'	~	LJC 12/09/13'
D	DEL P/N CODE	JLZ 10/28/14'	~	

NOTES:

1. MATERIAL&FINISHES

- 1.1 INSULATOR:THERMOPLASTIC(UL 94V-0).
- 1.2 CONTACT MATERIAL: COPPER ALLOY.

2. SPECIFICATION

- 2.1 CURRENT RATING:1.5 Amp.
- 2.2 INSULATION RESISTANCE:1000MΩ Min.
- 2.3 DIELECTRIC WITHSTANDING:600VAC.
- 2.4 CONTACT RESISTANCE:20mΩ Max.
- 2.5 OPERATING TEMPERATURE:-40°C TO +105°C.

3. PRODUCT NUMBER CODE:

DS1025-01 - X X X X X X - X

PLATING LEVEL(FOR GOLD ONLY)ⒸⒹ
3A: 0.8-1.2u" B: LEVEL B

DIM.A B TYPE
1: TYPE 1
2: TYPE 2
3: TYPE 3
4: TYPE 4
5: TYPE 5
.....

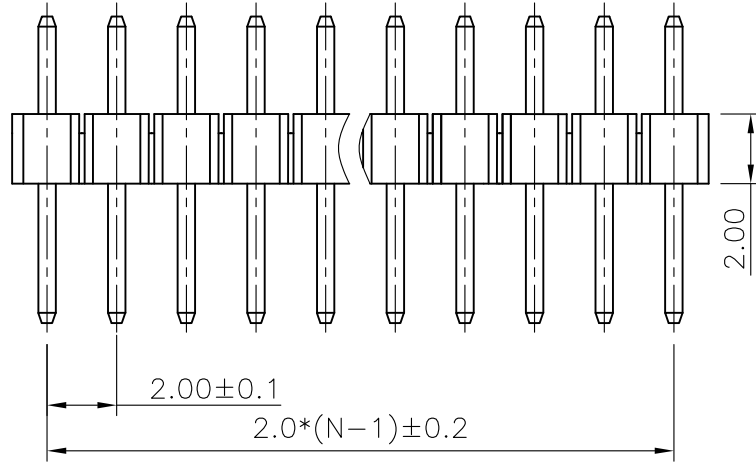
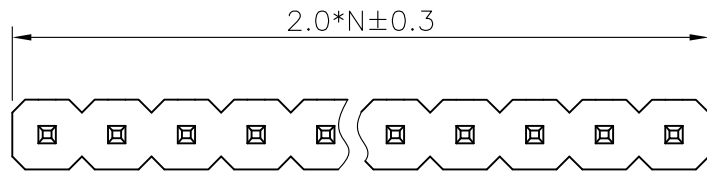
MOUNTING TYPE
V: VERTICAL TYPE

HOUSING COLOR
B: BLACK

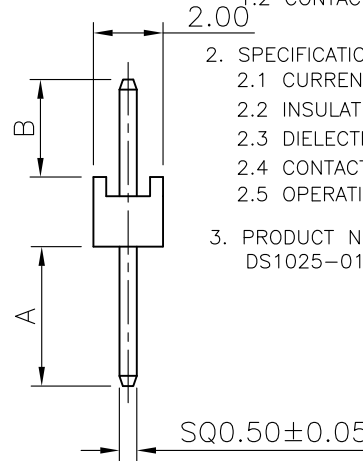
CONTACT PLATING
8: FULL GOLD FLASH
6: TIN

CONNECTOR TYPE
P: PLUG

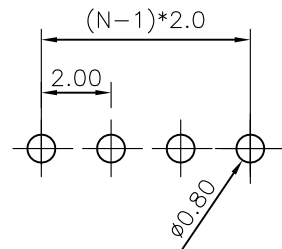
No.OF CONTACTS
1*2~1*40



N:NUMBER OF CONTACTS



TYPE	DIM A	DIM B
1	4.00	2.80
2	6.00	3.00
3	2.80	10.20
4	2.80	15.20
5	7.00	3.00
6	10.20	2.80
7	3.70	3.00
8		



RECOMMENDED PCB LAYOUT
(TOLERANCE=±0.05)

GENERAL TOLERANCE		ANGLE TOLERANCE		PROJECTION		TITLE	
X.	±0.60	X.	±5°	UNITS	mm	2.0mm PIN HEADER SINGLE ROW STRAIGHT TYPE	
.X	±0.38	.X	±3°	SHEET SIZE	A4	SERIES	DS1025-01 SERIES
.XX	±0.25	.XX	±2°	晨翔电子有限公司 CONNFLY® CONNFLY ELECTRONIC CO., LTD			
DRAWING TYPE		CUSTOMER					
SCALE	1:1	SHEET	1 OF 1				
DRAWING NO.		C-DS1025-01-XXXXX-X-D					