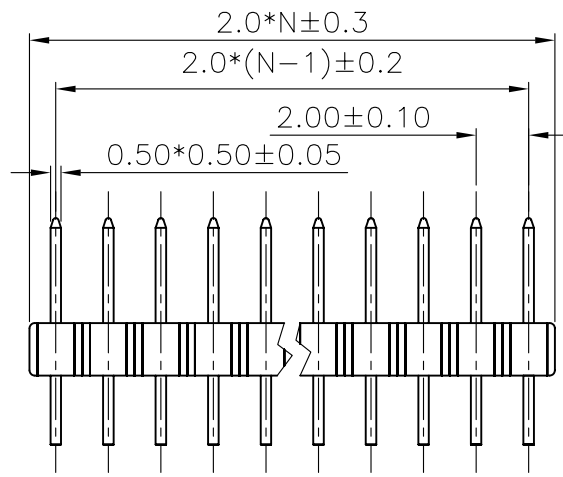
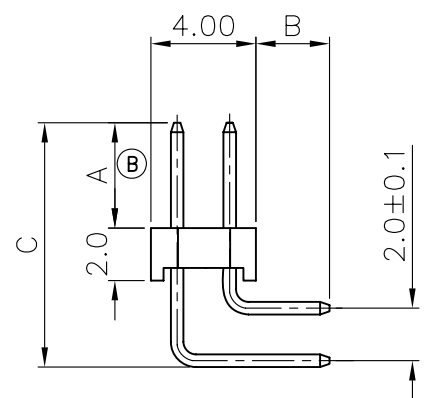


REV.	DESCRIPTION	DRAWN	CHECKED	APPROVED
A	NEW RELEASE	LJH 05/08/05'	~	LJC 05/08/05'
B	图面绘制错误	LL 08/11/06'	~	LJC 08/11/06'
C	增加规格尺寸	LL 01/15/07'		



A&B: CUSTOMER LENGTH AVAILABLE
N: NUMBER OF CONTACTS/2

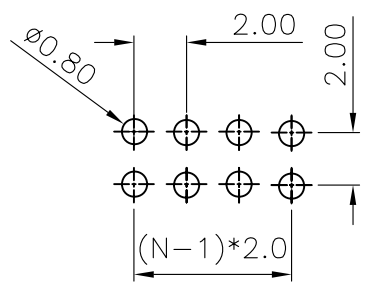
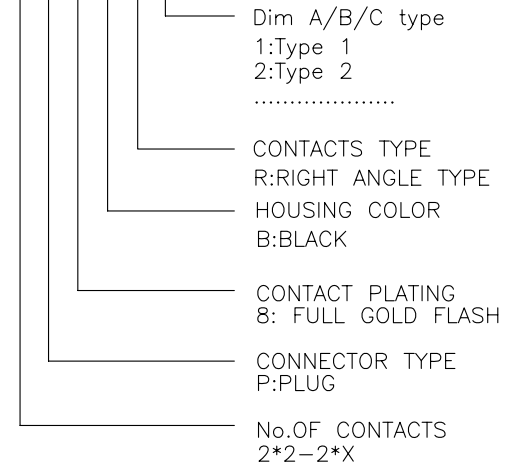


NOTES:

- MATERIAL&FINISHES
 - INSULATOR:THERMOPLASTIC(UL 94V-0).
 - CONTACT MATERIAL: COPPER ALLOY.
- SPECIFICATION
 - CURRENT RATING:1.5 Amp.
 - INSULATION RESISTANCE:1000MΩ Min.
 - DIELECTRIC WITHSTANDING:600VAC.
 - CONTACT RESISTANCE:20mΩ Max.
 - OPERATING TEMPERATURE:-40°C TO +105°C.
- PART NUMBER: DS1025-06
- PRODUCT NUMBER CODE:
DS1025-06 - X X X X X X

TABLE A

TYPE	Dimension			Pin Length
	A	B	C	
1	4.00	2.80	9.30	10.70 14.70
2	6.00	2.80	11.30	12.70 16.70
3	2.42	5.00	12.70	16.10 20.10
4	3.70	3.00	9.00	10.30 14.30
5	3.20	3.00	9.20	10.50 14.50
6	8.00	2.80	13.30	14.70 18.70
7				
8				
9				
10				



RECOMMEND PCB LAYOUT
(TOLERANCE=±0.05)

GENERAL TOLERANCE		ANGLE TOLERANCE	
X.	±0.60	X.	±5°
.X	±0.38	.X	±3°
.XX	±0.25	.XX	±2°

DRAWING TYPE	CUSTOMER		
SCALE	1:1	SHEET	1 OF 1
DRAWING NO.	C-DS1025-06-XXXXX		

PROJECTION	UNIT	TITLE
	mm	DUAL ROW RIGHT ANGLE
SHEET SIZE	A4	SERIES DS1025-06 SERIES

晨翔电子有限公司
CONNFLY® CONNFLY ELECTRONIC CO., LTD