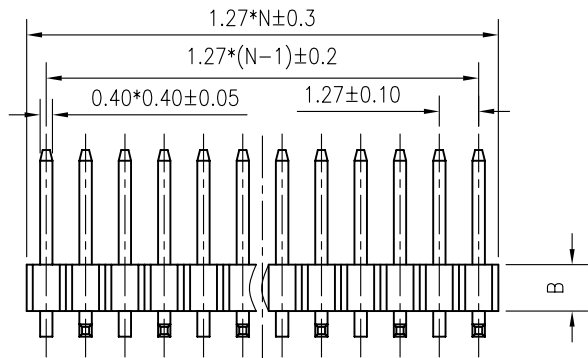
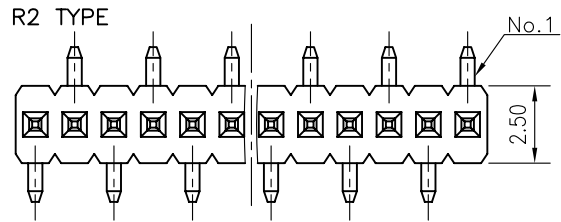
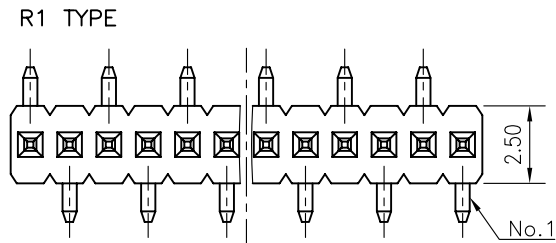
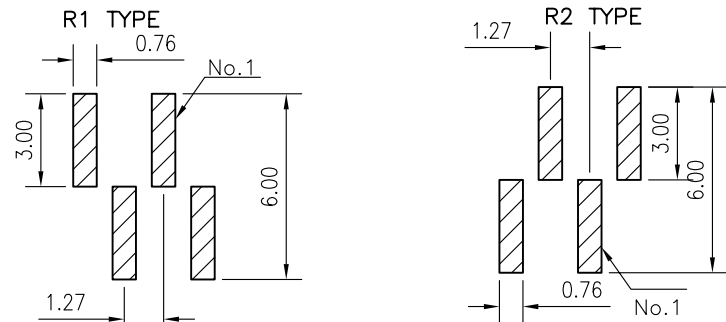
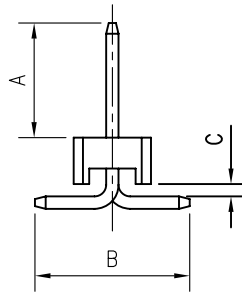


REV.	DESCRIPTION	DRAWN	CHECKED	APPROVED
A	NEW RELEASE	LJH 02/21/08'	~	



N:No.OF CONTACTS



RECOMMEND PCB LAYOUT(TOLERANCE=±0.05)

NOTES:

- MATERIAL
  - INSULATOR:THERMOPLASTIC(UL 94V-0).
  - CONTACT MATERIAL:COPPER ALLOY
- SPECIFICATION
  - CURRENT RATING:1.0 Amp.
  - INSULATION RESISTANCE:500MΩ Min.
  - DIELECTRIC WITHSTANDING:300VAC.
  - CONTACT RESISTANCE:50mΩ Max.
  - OPERATING TEMPERATURE:-40°C TO+105°C.
- PART NUMBER: DS1031-03
- PRODUCT NUMBER CODE:

DS1031-03 - X X X X X X X X

- CONTACT BEND TYPE
  - 1: R1 TYPE
  - 2: R2 TYPE
- DIM.A B C TYPE
  - 1: TYPE 1
- HOUSING HEIGHT(DIM. B)
  - 1: 1.00mm
  - 2: 1.50mm
  - 3: 2.00mm
- MOUNTING TYPE
  - S: SMT TYPE
- HOUSING COLOR
  - B:BLACK
- CONTACT PLATING
  - 8: FULL GOLD FLASH
- CONNECTOR TYPE
  - P:PLUG
- No.OF CONTACTS
  - 1\*1-1\*40
- SERIES No.
  - DS1031-03

TYPE	DIM A	DIM B	DIM C
1	3.70	5.00	0.40
2			
3			
4			
5			
6			
7			

GENERAL TOLERANCE		ANGLE TOLERANCE		PROJECTION		TITLE	1.27mm PITCH PIN HEADER
X	±0.60	X	±5'	UNITS	mm	SINGLE ROW S.M.T TYPE	
.X	±0.38	.X	±3'	SHEET SIZE	A4	SERIES	DS1031-03 SERIES
.XX	±0.25	.XX	±2'	<b>晨翔电子有限公司</b> <b>CONNFLY ELECTRONIC CO., LTD</b>			
DRAWING TYPE		CUSTOMER					
SCALE	1:1	SHEET	1 OF 1				
DRAWING NO.		C-DS1031-03-XXXXXXX					