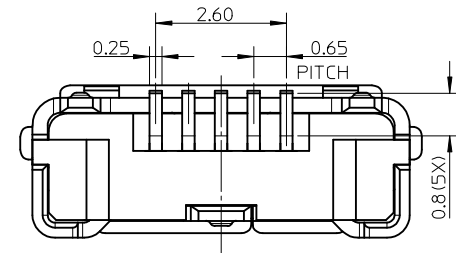
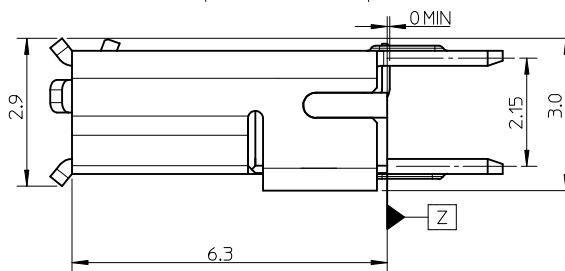
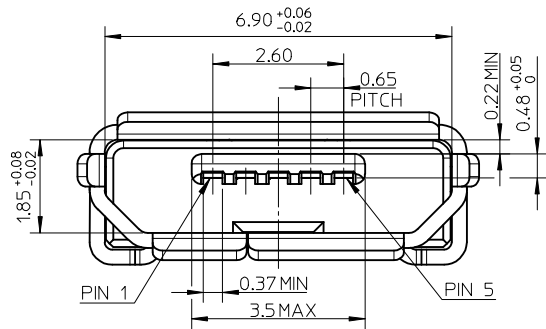
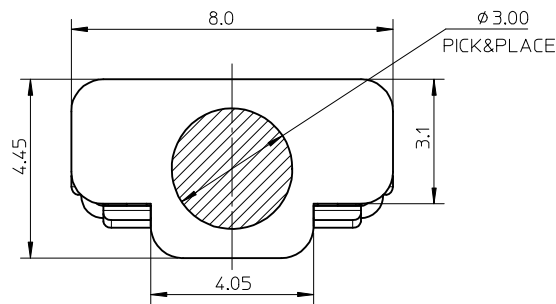


RECOMMENDED PCB LAYOUT (THICKNESS=1.6mm)
GENERAL TOLERANCE: ±0.05



| | |
|----------------|------|
| 5 | GND |
| 4 | ID |
| 3 | D+ |
| 2 | D- |
| 1 | VBUS |
| PIN | NAME |
| PIN ASSIGNMENT | |

NOTES:

- MATERIAL:
HOUSING & COVER: HIGH TEMPERATURE THERMOPLASTIC, BLACK, UL94V-0;
TERMINAL: COPPER ALLOY, THICKNESS: 0.15mm;
SHELL: STAINLESS STEEL, THICKNESS: 0.30mm.
- PLATING:
TERMINAL: CONTACT AREA: GOLD FLASH OVER MINIMUM 0.75 MICRON Pd/Ni;
SOLDER TAIL AREA: GOLD FLASH;
UNDER PLATING: NICKEL 2.0 MICROMN MINIMUM.
SHELL: MATTE TIN 1.27 MICRON MINIMUM;
UNDER PLATING: NICKEL 1.27 MICRON MINIMUM.
- TAIL COPLANARITY 0.08mm MAXIMUM.
- PRODUCT SPECIFICATION: PS-105133-001.
- PACKAGE SPECIFICATION: PK-105133-001.
- COMPLIANT TO RoHS DIRECTIVE 2002/95/EC AND ELV 2000/53/EC.

REVISE PS INFORMATION

| | |
|--------|-----------------------|
| REV | DESCRIPTION |
| B | REVISE PS INFORMATION |
| EC NO: | SH2014-0449 |
| DRWN: | XQZHANG |
| CHKD: | XQZHANG |
| APPR: | AYIN |
| DATE: | 2014/03/18 |
| DATE: | 2014/04/24 |
| DATE: | 2014/06/06 |

| | |
|-----------------|------------|
| QUALITY SYMBOLS | $F_{A'}=0$ |
| | $F_{C'}=0$ |
| | $F_{P'}=0$ |

| | |
|--|--------------|
| GENERAL TOLERANCES (UNLESS SPECIFIED) | |
| | mm |
| | INCH |
| 4 PLACES | ± --- ± --- |
| 3 PLACES | ± --- ± --- |
| 2 PLACES | ± 0.20 ± --- |
| 1 PLACE | ± 0.25 ± --- |
| 0 PLACE | ± --- ± --- |
| ANGULAR ± 3 ° | |
| DRAFT WHERE APPLICABLE MUST REMAIN WITHIN DIMENSIONS | |

| | |
|-----------------|-------------|
| DIMENSION STYLE | |
| MM ONLY | |
| DRAWN BY | DATE |
| XQZHANG | 2012/05/07 |
| CHECKED BY | DATE |
| XQZHANG | 2012/05/07 |
| APPROVED BY | DATE |
| AYIN | 2012/06/22 |
| MATERIAL NO. | 105133-0011 |

| | |
|--------------|--|
| SCALE | 1:1 |
| DESIGN UNITS | METRIC |
| TITLE | SALES DRAWING FOR USB, MICRO-B VERTICAL TYPE |
| DOCUMENT NO. | SD-105133-011 |

| | |
|---|--------|
| THIRD ANGLE PROJECTION | |
| SALES DRAWING FOR USB, MICRO-B VERTICAL TYPE | |
| molex | |
| SHEET NO. | 1 OF 1 |
| THIS DRAWING CONTAINS INFORMATION THAT IS PROPRIETARY TO MOLEX INCORPORATED AND SHOULD NOT BE USED WITHOUT WRITTEN PERMISSION | |