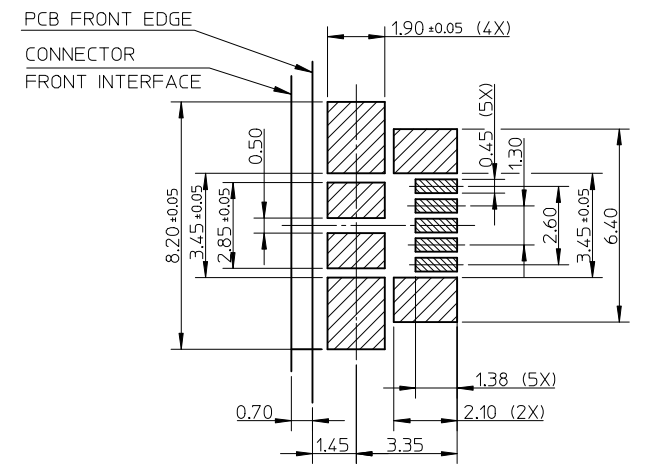


5	GND
4	ID
3	D+
2	D-
1	VBUS
PIN	NAME
PIN ASSIGNMENT	

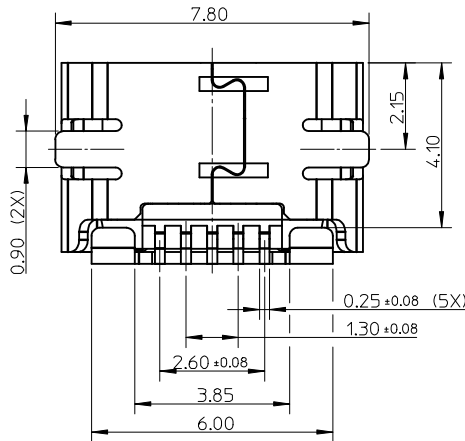
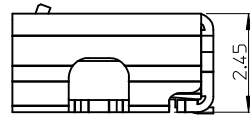
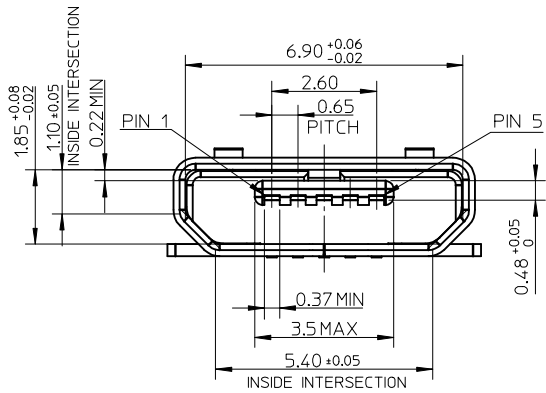
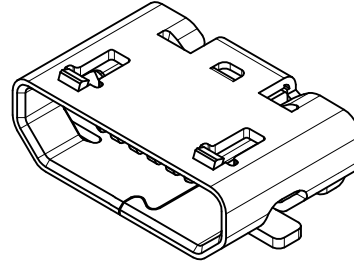
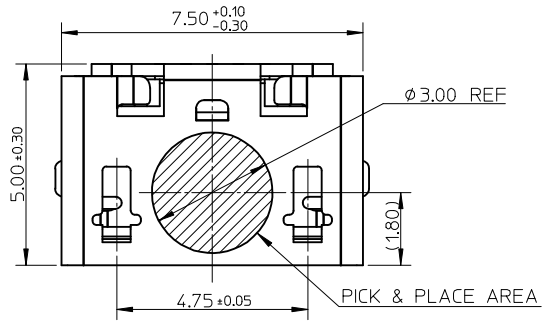
NOTES:

- MATERIAL:  
HOUSING: LCP, BLACK, UL94V-0;  
TERMINAL: COPPER ALLOY, THICKNESS: 0.15mm;  
SHELL: STAINLESS STEEL, THICKNESS: 0.30mm.
- PLATING:  
TERMINAL:  
CONTACT AREA: GOLD FLASH OVER MINIMUM 0.75MICRON Pd/Ni;  
SOLDER TAIL AREA: GOLD FLASH;  
UNDER PLATING: NICKEL 2.0MICRON MINIMUM.  
SHELL:  
MATTE TIN 3.8MICRON MINIMUM;  
UNDER PLATING: NICKEL 1.27MICRON MINIMUM.
- TAIL & NAIL COPLANARITY 0.08mm MAXIMUM.
- PRODUCT SPECIFICATION: PS-47346-001.
- PACKAGE SPECIFICATION: PK-47346-001.
- COMPLIANT TO RoHS DIRECTIVE 2002/95/EC AND ELV 2000/53/EC.



RECOMMENDED P.C.B. PATTERN LAYOUT  
GENERAL TOLERANCE: ±0.05

ADD PIN ASSIGNMENT EC NO: SH2014-0097 DRWN: XQZHANG 2013/09/02 CH'KD: XQZHANG 2013/09/02 APPR: AYTN 2013/09/03	QUALITY SYMBOLS $\nabla = 0$ $\nabla = 0$ $\nabla = 0$	GENERAL TOLERANCES (UNLESS SPECIFIED)		DIMENSION STYLE <b>MM ONLY</b>		SCALE <b>8:1</b>	DESIGN UNITS <b>METRIC</b>	THIRD ANGLE PROJECTION		
			mm	INCH	DRAWN BY	DATE	TITLE			
		4 PLACES	± ---	± ---	XJSONG	2006/12/11	MICRO USB B REC. BOTTOM MOUNT ASS'Y			
		3 PLACES	± ---	± ---	CHECKED BY	DATE				
						<b>molex</b>				
2 PLACES	± 0.25	± ---	IWANG	2006/12/11						
						MATERIAL NO. <b>47346-0001</b> DOCUMENT NO. <b>SD-47346-001</b> SHEET NO. <b>1 OF 2</b>				
1 PLACE	± 0.25	± ---	APPROVED BY	DATE						
						THIS DRAWING CONTAINS INFORMATION THAT IS PROPRIETARY TO MOLEX INCORPORATED AND SHOULD NOT BE USED WITHOUT WRITTEN PERMISSION				
0 PLACE	±	±	JNCHEN	2006/12/11						
DRAFT WHERE APPLICABLE MUST REMAIN WITHIN DIMENSIONS		ANGULAR ± 3°		SIZE <b>A3</b>						



SEE SHEET 1 EC NO: SH2014-0097 DRWN: XQZHANG 2013/09/02 CHKD: XQZHANG 2013/09/02 APPR: AYIN 2013/09/03	REV D	DESCRIPTION QUALITY SYMBOLS ▽ <sub>F</sub> =0 ▽ <sub>F</sub> =0 ▽ <sub>F</sub> =0	GENERAL TOLERANCES (UNLESS SPECIFIED)		DIMENSION STYLE MM ONLY	SCALE 8:1	DESIGN UNITS METRIC	THIRD ANGLE PROJECTION	
			mm	INCH	DRAWN BY XJSONG	DATE 2006/12/11	TITLE MICRO USB B REC. BOTTOM MOUNT ASS'Y FLANGELESS TYPE  <b>molex</b>		
			4 PLACES ± --- ± ---	3 PLACES ± --- ± ---	CHECKED BY IWANG	DATE 2006/12/11			
			2 PLACES ± 0.25 ± ---	1 PLACE ± 0.25 ± ---	APPROVED BY JNCHEN	DATE 2006/12/11			
0 PLACE ± ±	MATERIAL NO. 47346-1001		DOCUMENT NO. SD-47346-001	SHEET NO. 2 OF 2					
ANGULAR ± 3°			DRAFT WHERE APPLICABLE MUST REMAIN WITHIN DIMENSIONS			THIS DRAWING CONTAINS INFORMATION THAT IS PROPRIETARY TO MOLEX INCORPORATED AND SHOULD NOT BE USED WITHOUT WRITTEN PERMISSION			