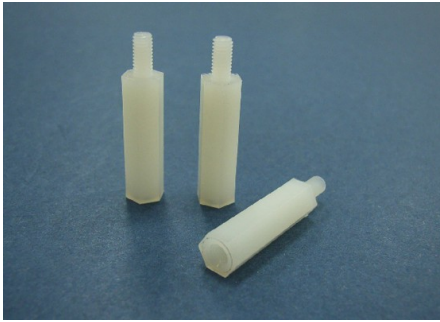
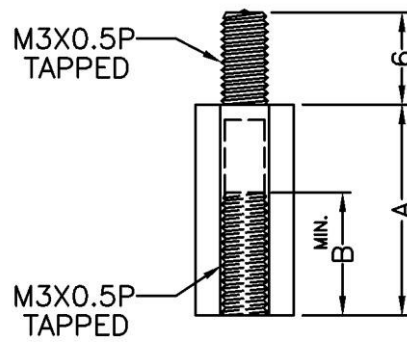


## TP-series



MATERIAL: NYLON 66(UL)  
 COLOUR:NATURAL  
 FLAME CLASS: 94V-2  
 UNIT:mm



PART NO	A	B
TP-5	5	3
TP-10	10	6
TP-15	15	6
TP-20	20	8
TP-25	25	6
TP-30	30	6
TP-35	35	6