

REV.	DESCRIPTION	DRAWN	CHECKED	APPROVED
A	NEW RELEASE	LJC 04/27/05'		卢金春
B	ADD DIM	LL 09/21/06'		卢金春
C	HOUSING CHANGE	YCH 04/09/08'		卢金春
D	Drawing correction	YCH 07/06/09'		卢金春
E	ADD P/N CODE	YCH 12/02/13'		LJC 12/02/13'
F	Drawing correction	JLZ 02/10/15'		

NOTES:

- ELECTRICAL CHARACTERISTICS:
 - CONTACT RESISTANCE: 20mΩ Max. INITIAL.
 - DIELECTRIC WITHSTANDING VOLTAGE: 500V AC(rms) FOR 1 MINUTE.
 - INSULATION RESISTANCE: 1000MΩ Min.
- ENVIRONMENT CHARACTERISTICS:
 - TEMPERATURE: -40°C~+105°C.
- PRODUCT NUMBER CODE:
 DS1011- X X X X X X - X
 PLATING LEVEL(FOR GOLD ONLY) ⑥
 B: LEVEL B

 LOCK DIM.
 7: 7.90mm(standard)
 4: 4.50mm(special)

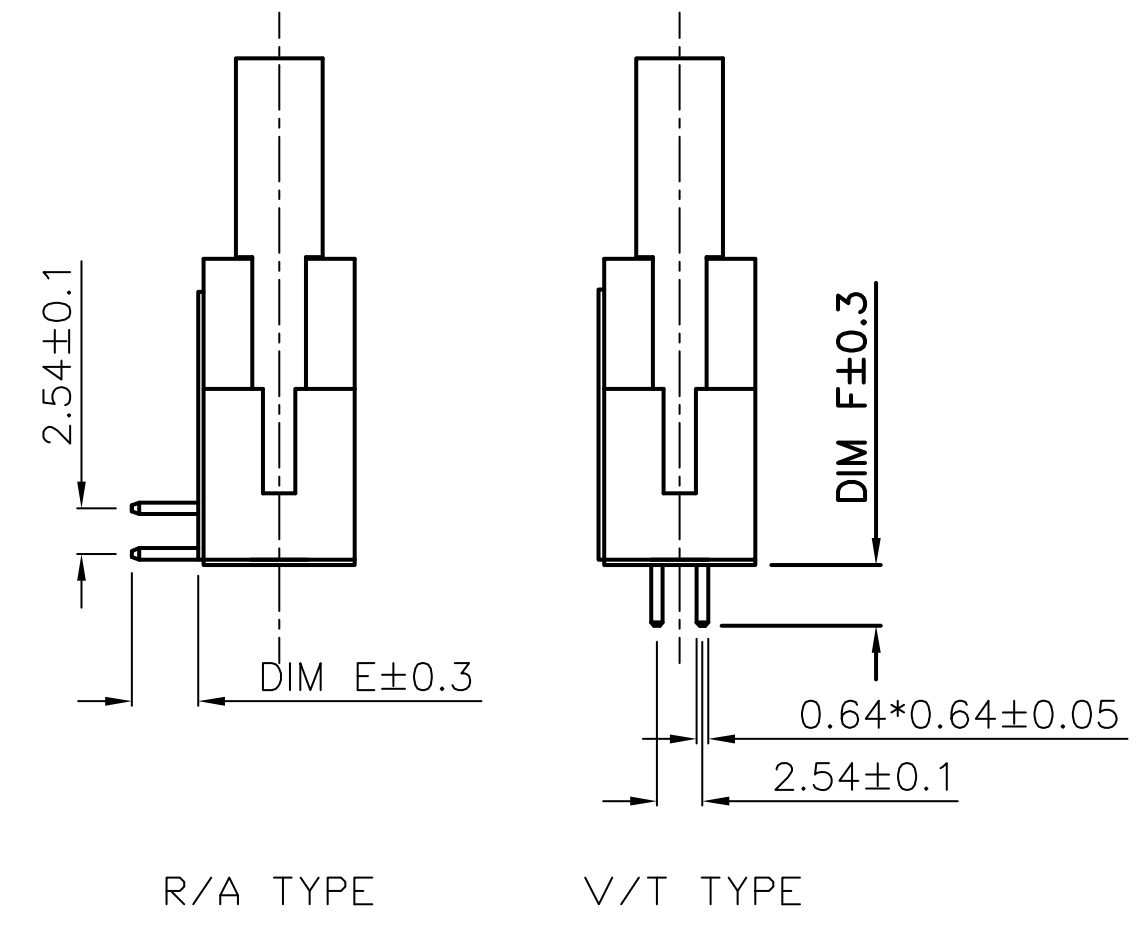
 HOUSING COLOR
 B:BLACK
 A:GRAY

 CONTACT PLATING
 Si: Full Gold flash

 HOUSING TYPE
 B: BIG LATCH HOUSING

 MOUNTING TYPE
 S: STRAIGHT
 R: R/A

 No.OF CONTACTS
 10 14 16 20 26 30
 34 40 50 60 64



R/A TYPE

Latch Type	DIM.	E
Standard Latch		3.70

V/T TYPE

Latch Type	DIM.	F
Standard Latch		3.10
⑥ Standard Latch		8.10

AVAILABLE DIMENSION TABLE

No.of Contacts	10	14	16	20	26	30	34	40	50	60	64
A	32.1	37.18	39.72	44.80	52.42	57.50	62.58	70.20	82.90	95.60	100.68
B	22.20	27.28	29.82	34.90	42.52	47.60	52.68	60.30	73.00	85.70	90.78
C	10.16	15.24	17.78	22.86	30.48	35.56	40.64	48.26	60.96	73.66	78.74
D	18.10	23.18	25.72	30.47	38.42	43.50	48.58	56.20	68.90	81.60	86.68

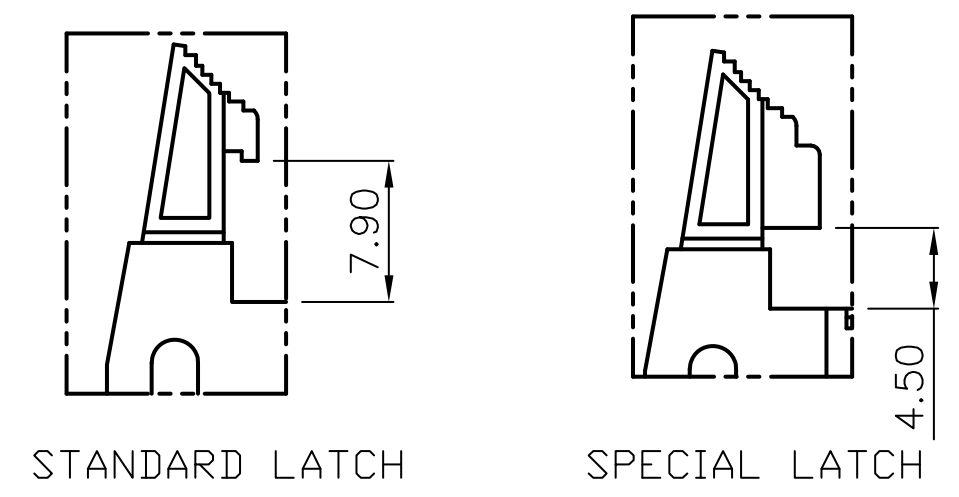


FIGURE A

GENERAL TOLERANCE		ANGLE TOLERANCE		PROJECTION	TITLE
X.	±0.60	X.	±5°		2.54mm SHROUDED HEADER
.X	±0.38	.X	±3°	mm	R/A & V/T TYPE
.XX	±0.25	.XX	±2°	SHEET SIZE	A4 SERIES DS1011 SERIES
DRAWING TYPE				CUSTOMER	
SCALE		1:1		SHEET 1 OF 1	
DRAWING NO.		C-DS1011-XXBXXX-X-F			

晨翔电子有限公司
CONNFLY® CONNFLY ELECTRONIC CO., LTD