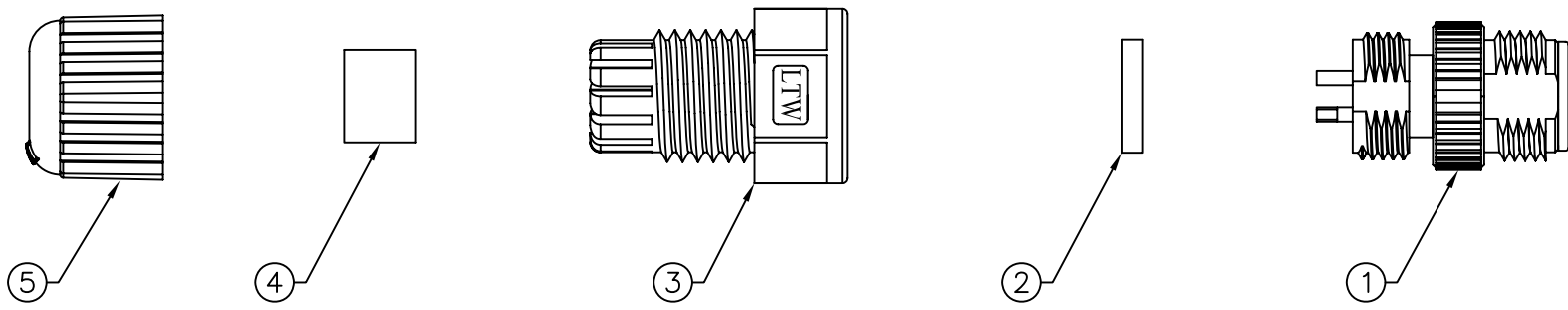
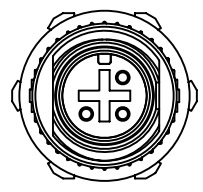
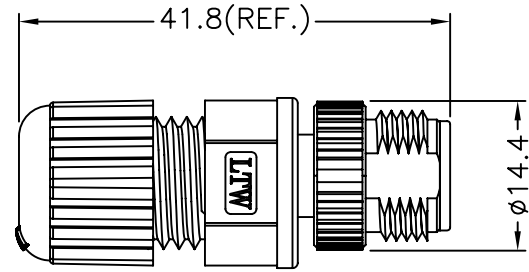


THIS DOCUMENT IS SUBJECT TO CHANGE WITHOUT NOTICE. IT IS CONFIDENTIAL AND A PROPERTY OF LTW. DISCLOSURE TO THIRD PARTY HAS TO BE AUTHORIZED BY LTW.

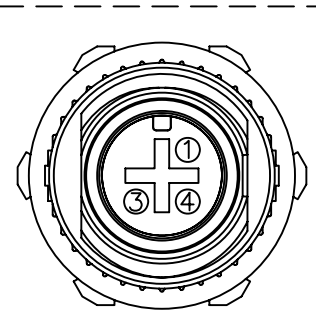
5	6	7	8	
REV.	ECN NO.	DATE	SIGN	DESCRIPTION



- Note:
- \* Ⓞ Important Dimension To Check.
  - \* Waterproof Rate: IP68
  - \* Housing: Black, Nylon+GF
  - \* Pin: Copper Alloy, Gold Plated
  - \* Nut: Zinc Alloy, Nickel Plated
  - \* Gasket: Black, EPDM
  - \* Clamp Ring: Black, Nylon
  - \* Sealing Nut: Black, Nylon
  - \* Seal: Black, EPDM
  - \* Seal For Cable OD:  $\phi 4.5\text{mm} \sim \phi 6.5\text{mm}$



Conn.



Pin Assignments  
Front View

UNIT:mm		TITLE		ITEM NO		DRAWN BY		DATE	
TOLERANCE		M12 Conn		LTW12-03BMMA-SL8001		Jason Manas		2006/12/27	
$\pm 0.5$ mm		Assy Screw 3Pin M Conn M Pin		DWG NO		CHECKED BY		DATE	
SCALE		SHEET		LTW12-03BMMA-SL8001		Michael Cerenado		2006/12/28	
Free		1 OF 1		CUSTOMER		APPROVED BY		DATE	
REV. A		SIZE A4				Max		2006/12/28	
		Ⓞ :Inspection Item		LTW					
				亮泰企業股份有限公司					
1	2	3	4	5	6	7	8	QP02C-01-01A2	