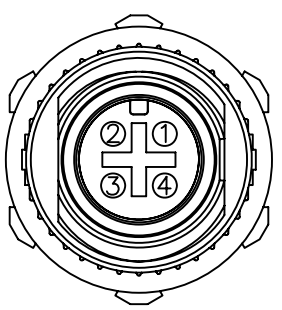
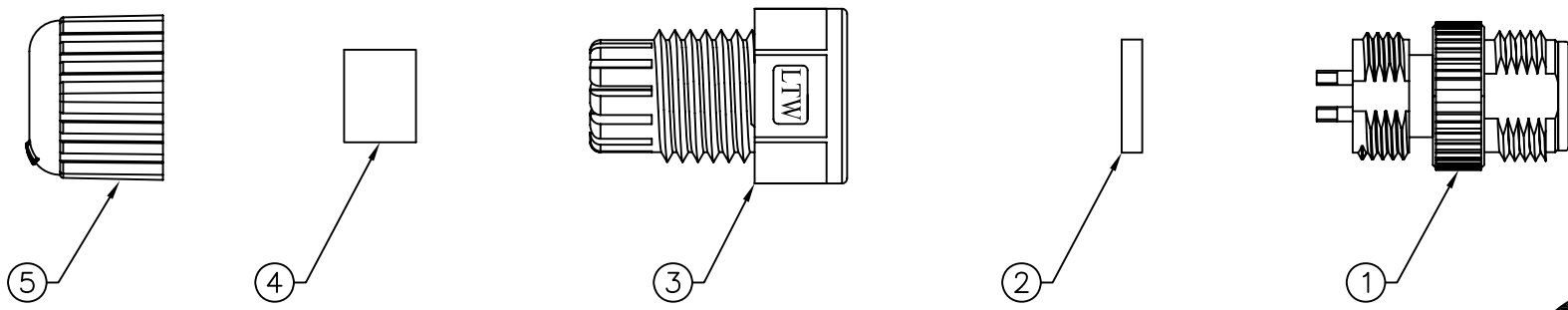
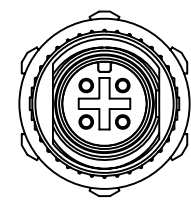
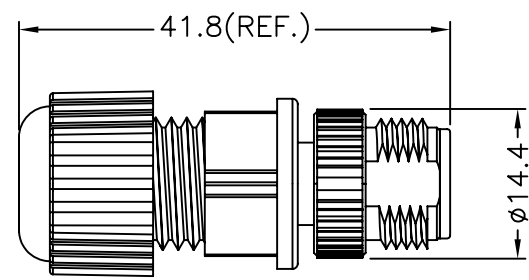


REV.	ECN NO.	DATE	SIGN	DESCRIPTION



Pin Assignments
Front View



Conn.

- Note:
- * Ⓞ Important Dimension To Check.
 - * Waterproof Rate: IP68
 - * Housing: Black, Nylon+GF
 - * Pin: Copper Alloy, Gold Plated
 - * Nut: Zinc Alloy, Nickel Plated
 - * Gasket: Black, EPDM
 - * Clamp Ring: Black, Nylon
 - * Sealing Nut: Black, Nylon
 - * Seal: Black, EPDM
 - * Seal For Cable OD: $\phi 4.5\text{mm} \sim \phi 6.5\text{mm}$

UNIT:mm		TITLE	M12 Conn	ITEM NO	LTW12-04BMMA-SL8001	DRAWN BY	Jason Manas	DATE	2006/12/21
TOLERANCE	$\pm 0.5 \text{ mm}$	Assy Screw 4Pin M Conn M Pin		DWG NO	LTW12-04BMMA-SL8001	CHECKED BY	Alan MJ Sundo	DATE	2006/12/21
		SCALE	Free	SHEET	1 OF 1	APPROVED BY	Max Hung	DATE	2006/12/21
		REV.	A	SIZE	A4	Ⓞ : Inspection Item			

LTW
亮泰企業股份有限公司

THIS INFORMATION IS CONFIDENTIAL AND IS DISCLOSED TO YOU ON CONDITION THAT NO FURTHER DISCLOSURE IS MADE BY YOU TO OTHER THAN LTM PERSONNEL WITHOUT AUTHORIZATION FROM LTM CORP.