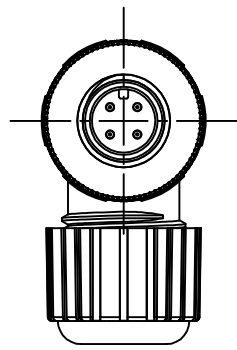
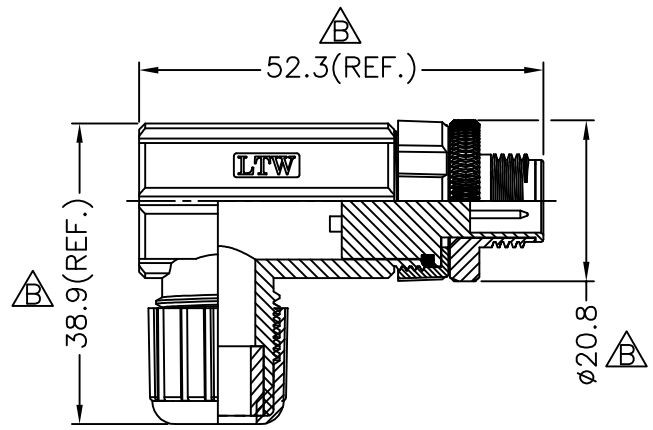
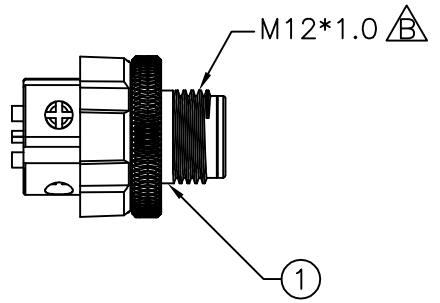
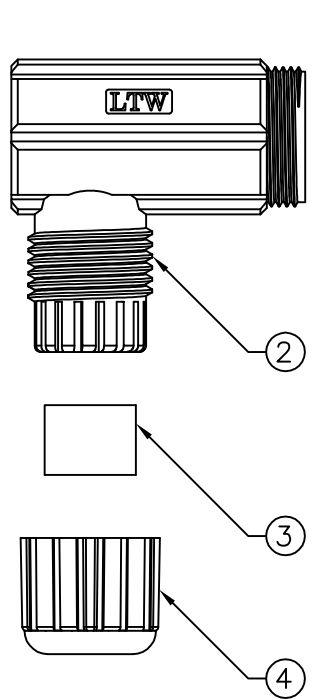


5	6	7	8
REV. B	ECN NO. IF3-6C0066	DATE 2006/11/20	SIGN Cloud
			DESCRIPTION Modify the Note and dimension.

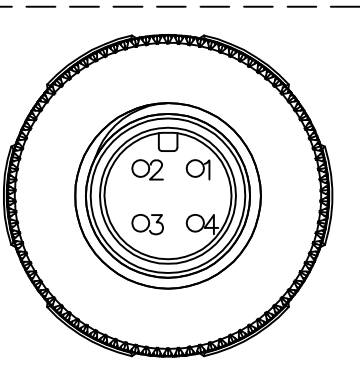
THIS DOCUMENT IS SUBJECT TO CHANGE WITHOUT NOTICE. IT IS CONFIDENTIAL AND A PROPERTY OF Amphenol LTW. DISCLOSURE TO THIRD PARTY HAS TO BE AUTHORIZED BY Amphenol LTW.



ALTW  
 CONFIDENTIAL  
 2006.12.05  
 R&D DEPT.

ALTW  
 DCC. DEPT.  
 CONFIDENTIAL  
 2006.12.15  
 ISSUED

- Note:**
- \* Waterproof Rate : IP67
  - \* Connector:Black,Nylon+GF
  - \* Pin:Copper Alloy,Gold Plated
  - \* O-Ring:Black,EPDM.
  - \* Holder:Black,Nylon+GF
  - \* Clamp Ring:Black,Nylon 66.
  - \* Gasket:Black,EPDM.
  - \* Sealing Nut:Black,Nylon 66.
  - \* Nut:Copper Alloy,Nickel Plated
  - \* Seals For Cable OD  $\phi 4.5\text{mm} \sim \phi 6.0\text{mm}$
  - \* Temperature Range:  $-40^{\circ}\text{C} \sim +85^{\circ}\text{C}$ .



Pin Assignments  
Front View

UNIT:mm		TITLE M12 Screw In Male Conn 4Pin A Code	<b>Amphenol LTW</b>	ITEM NO 12-04BMMB-SR7001	DRAWN BY Cloud	DATE 2006/12/05
TOLERANCE .X ±0.25 .XX ±0.1 .XXX ±0.05 ANGLES ±1°	SCALE Free	SHEET 1 OF 1	<b>安費諾亮泰企業股份有限公司</b>	DWG NO 12-04BMMB-SR7001	CHECKED BY Simon Hung	DATE 2006/12/07
REV. B	SIZE A4	◎ : Inspection Item		CUSTOMER ALTW	APPROVED BY Max	DATE 2006/12/12