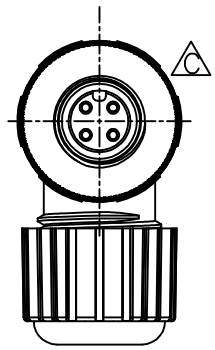
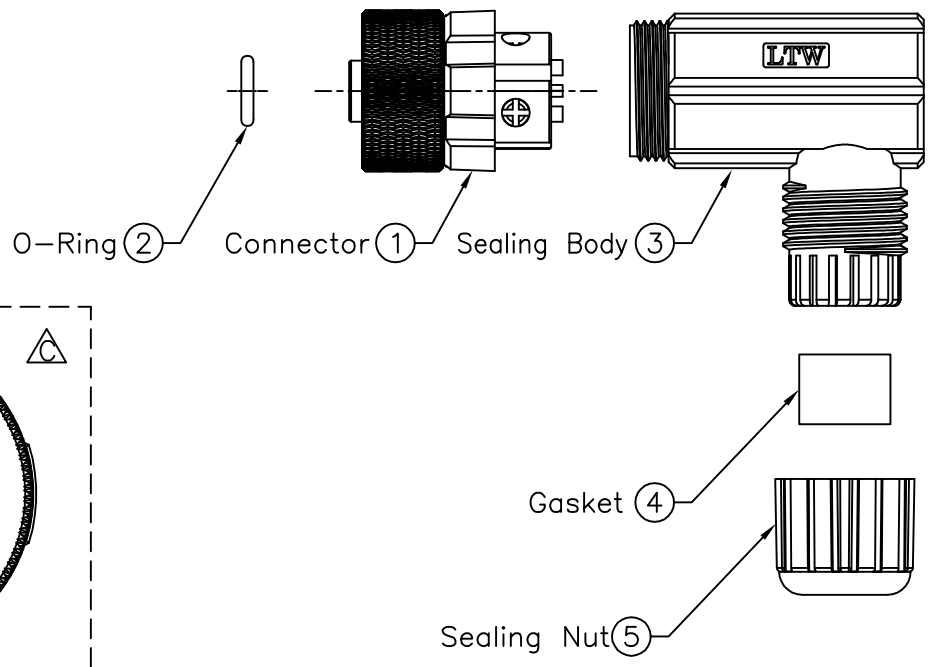
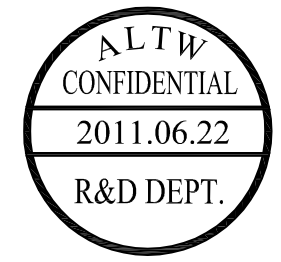
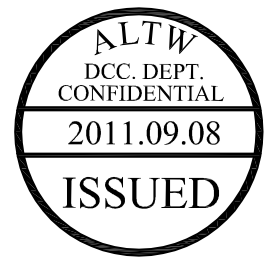
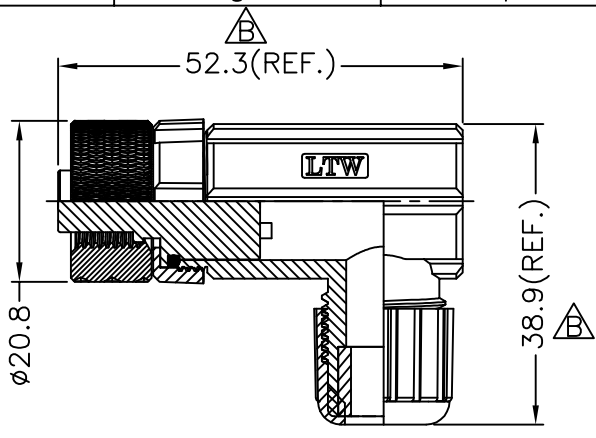


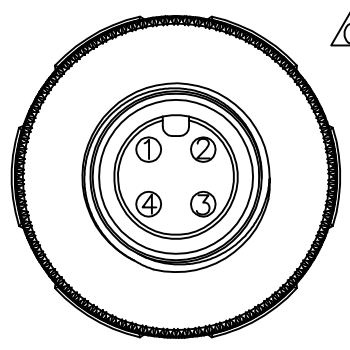
REV.	ECN NO.	DATE	SIGN	DESCRIPTION
C	LE3-890071	2008/08/12	Gao Ling	Change Connector Material
D	LE31130097	2011/03/03	Jiang Jun Hua	Change Connector Material
E	LE31190024	2011/06/22	Tao-Cheng	Change Connector Material



Conn.



- Note:**
- * @C Important Dimensions.
 - * Waterproof Rate: IP67
 - * Connector: M-PPE 540Z, Black
 - * Pin: Copper Alloy, Gold Plated
 - * O-Ring 1: Viton, Green
 - * O-Ring 2: EPDM, Black
 - * Holder: Nylon+GF, Black
 - * Clamp Ring: Nylon 66, Black
 - * Gasket: EPDM, Black
 - * Sealing Nut: Nylon 66, Black
 - * Nut: Copper Alloy, Nickel Plated
 - * Seals For Cable OD $\phi 4.5\text{mm} \sim \phi 6.0\text{mm}$
 - * Temperature Range: $-40^{\circ}\text{C} \sim +85^{\circ}\text{C}$



Pin Assignments
Front View

UNIT:mm		TITLE M12 Screw In Female Conn 4Pin A Code	
TOLERANCE	.X ±0.25 .XX ±0.1 .XXX ±0.05 ANGLES ±1°	SCALE Free	SHEET 1 OF 1
REV.	E	SIZE A4	@C : Inspection Item

Amphenol LTW
安費諾亮泰企業股份有限公司

ITEM NO 12-04BFFB-SR7001	DRAWN BY Tao-Cheng	DATE 2011/06/22
DWG NO 12-04BFFB-SR7001	CHECKED BY Micky	DATE 2011/06/22
CUSTOMER ALTW	APPROVED BY Victor	DATE 2011/06/22

THIS DOCUMENT IS SUBJECT TO CHANGE WITHOUT NOTICE. IT IS CONFIDENTIAL AND A PROPERTY OF Amphenol LTW. DISCLOSURE TO THIRD PARTY HAS TO BE AUTHORIZED BY Amphenol LTW.