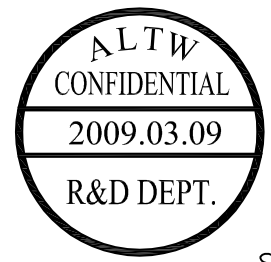
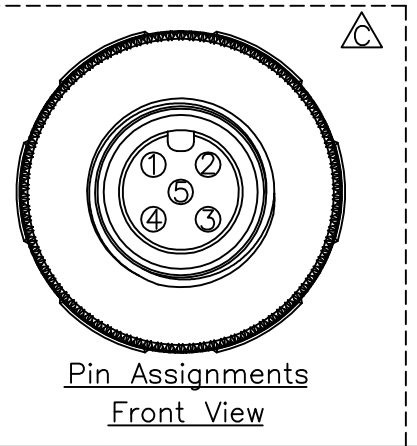
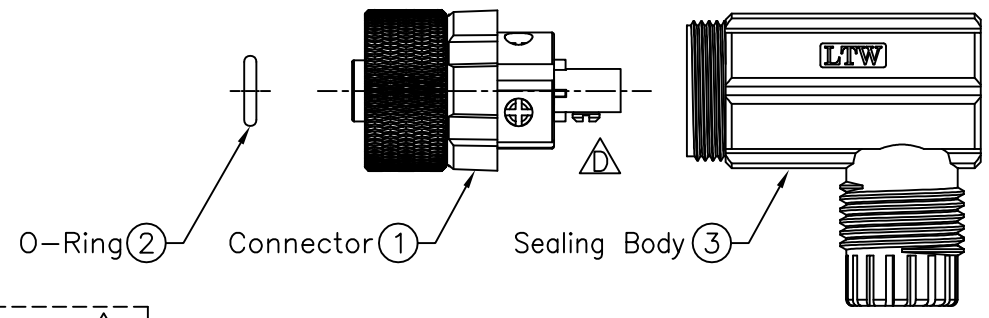
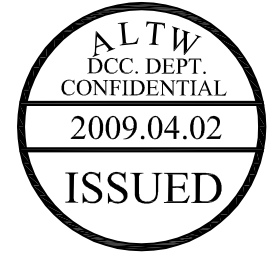
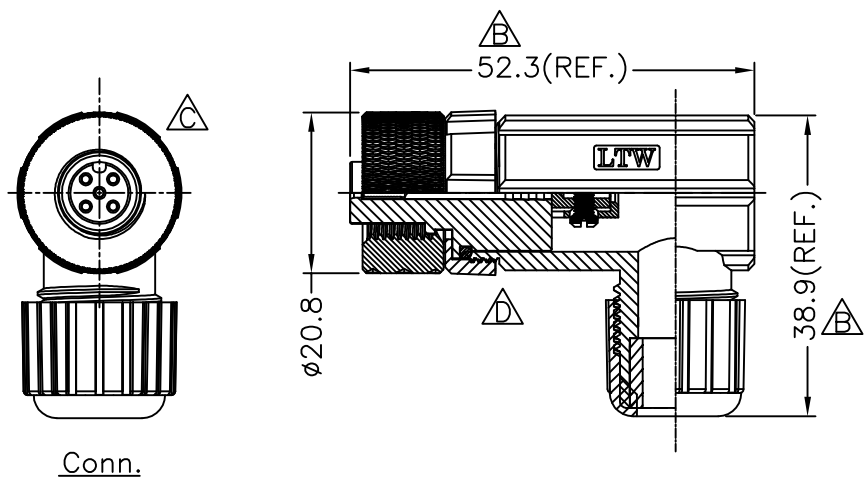


| REV. | ECN NO.    | DATE       | SIGN       | DESCRIPTION                    |
|------|------------|------------|------------|--------------------------------|
| B    | LE3-6C0078 | 2006/11/22 | Cloud      | Modify the Note and dimension. |
| C    | LE3-890075 | 2008/08/12 | Gao Ling   | Change Connector Material      |
| D    | LEN-940022 | 2009/03/09 | ZhaoRongFu | Change View                    |



- Note:**
- \* Waterproof Rate : IP67
  - \* Connector:Black,PPO V0150B
  - \* Female Pin:Copper Alloy,Gold Plated
  - \* O-Ring 1:Green,Viton.
  - \* O-Ring 2:Black,EPDM.
  - \* Holder:Black,Nylon+GF
  - \* Insulator:Black,PVC
  - \* Clamp Ring:Black,Nylon 66.
  - \* Gasket:Black,EPDM.
  - \* Sealing Nut:Black,Nylon 66.
  - \* Screw Nut:Copper Alloy,Nickel Plated
  - \* Seals For Cable OD  $\phi 4.5\text{mm} \sim \phi 6.0\text{mm}$
  - \* Temperature Range:  $-40^{\circ}\text{C} \sim +85^{\circ}\text{C}$ .

|   |            |  |                 |                     |  |                             |                          |                    |
|---|------------|--|-----------------|---------------------|--|-----------------------------|--------------------------|--------------------|
| UNIT:mm   |            | TITLE<br>M12 Screw In Female Conn<br>5Pin A Code |                 | <b>Amphenol LTW</b> |  | ITEM NO<br>12-05BFFB-SR7001 | DRAWN BY<br>Zhao Rong Fu | DATE<br>2009/03/09 |
| TOLERANCE<br>.X ±0.25<br>.XX ±0.1<br>.XXX ±0.05<br>ANGLES ±1° |            | SCALE<br>Free                                    | SHEET<br>1 OF 1 | 安費諾亮泰企業股份有限公司       |  | DWG NO<br>12-05BFFB-SR7001  | CHECKED BY<br>Prune      | DATE<br>2009/03/09 |
| REV.<br>D   | SIZE<br>A4 | QC : Inspection Item                             |                 | CUSTOMER<br>ALTW    |  | APPROVED BY<br>Luke         | DATE<br>2009/03/26       | 8 FMWIG02-01-01A2  |

THIS DOCUMENT IS SUBJECT TO CHANGE WITHOUT NOTICE. IT IS CONFIDENTIAL AND A PROPERTY OF Amphenol LTW. DISCLOSURE TO THIRD PARTY HAS TO BE AUTHORIZED BY Amphenol LTW.